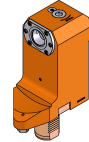


## 06057900 - TH-AX VDI40 C40 H140 RF

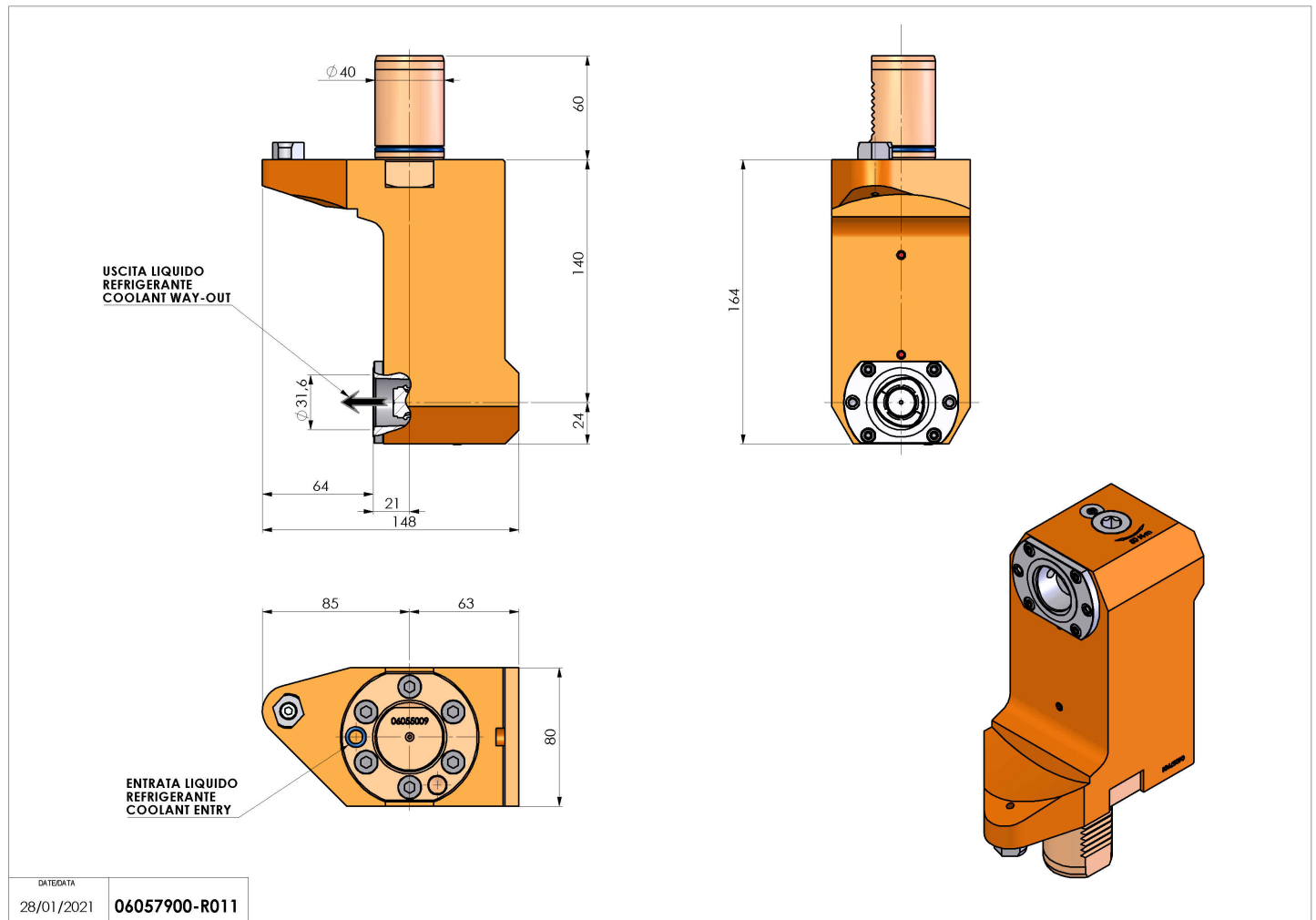
|             |                                 |
|-------------|---------------------------------|
| Type        | TH-AX<br>Axial Tool holder      |
| Mounting    | VDI 40                          |
| Tool output | Polygonal shank C40 ISO 26623-1 |
| Coolant     | Internal coolant                |
| H [mm]      | 140                             |



|               |      |
|---------------|------|
| Accessories   | N.A. |
| Notes         | N.A. |
| Mounting tips | N.A. |

**ATTENTION: CHECK THE ORIENTATION OF THE VDI TEETH**

Always check live tool dimensions on the turret



Subject to technical changes