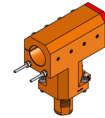


## 06054500 - TH-BRB VDI50 D60H155L210 RF MZ

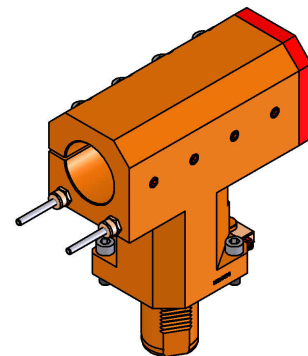
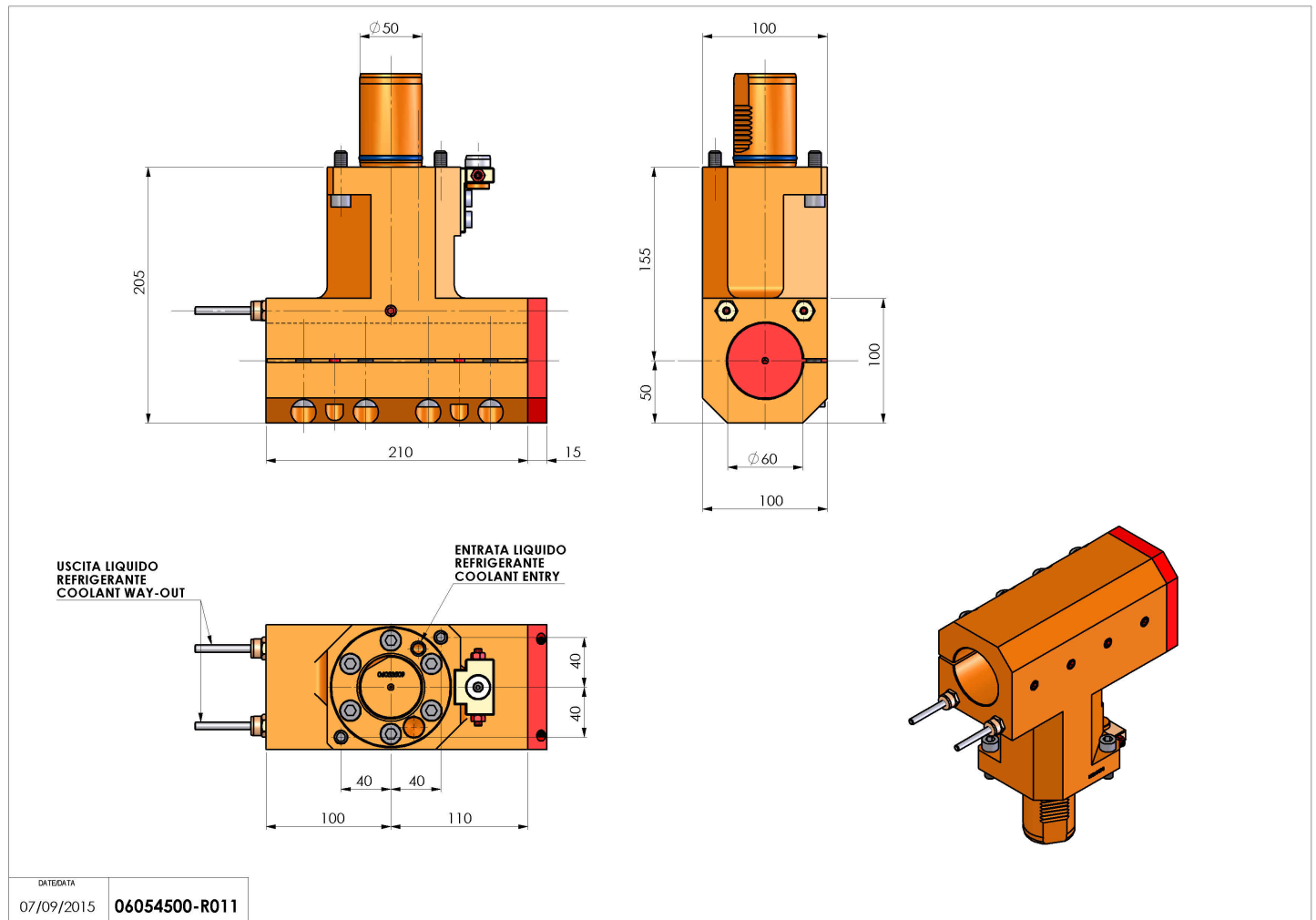
|             |                             |
|-------------|-----------------------------|
| Type        | TH-BRB<br>Boring bar holder |
| Mounting    | VDI 50                      |
| Tool output | Boring Bar Holder 60        |
| Coolant     | External / Internal coolant |
| H [mm]      | 155                         |



|               |      |
|---------------|------|
| Accessories   | N.A. |
| Notes         | N.A. |
| Mounting tips | N.A. |

**ATTENTION: CHECK THE ORIENTATION OF THE VDI TEETH**

Always check live tool dimensions on the turret



Subject to technical changes