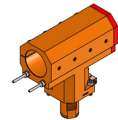


06054400 - TH-BRB VDI50 D80H155L240 RF MZ

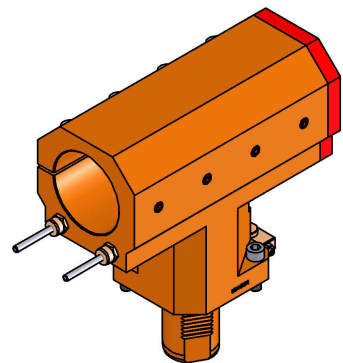
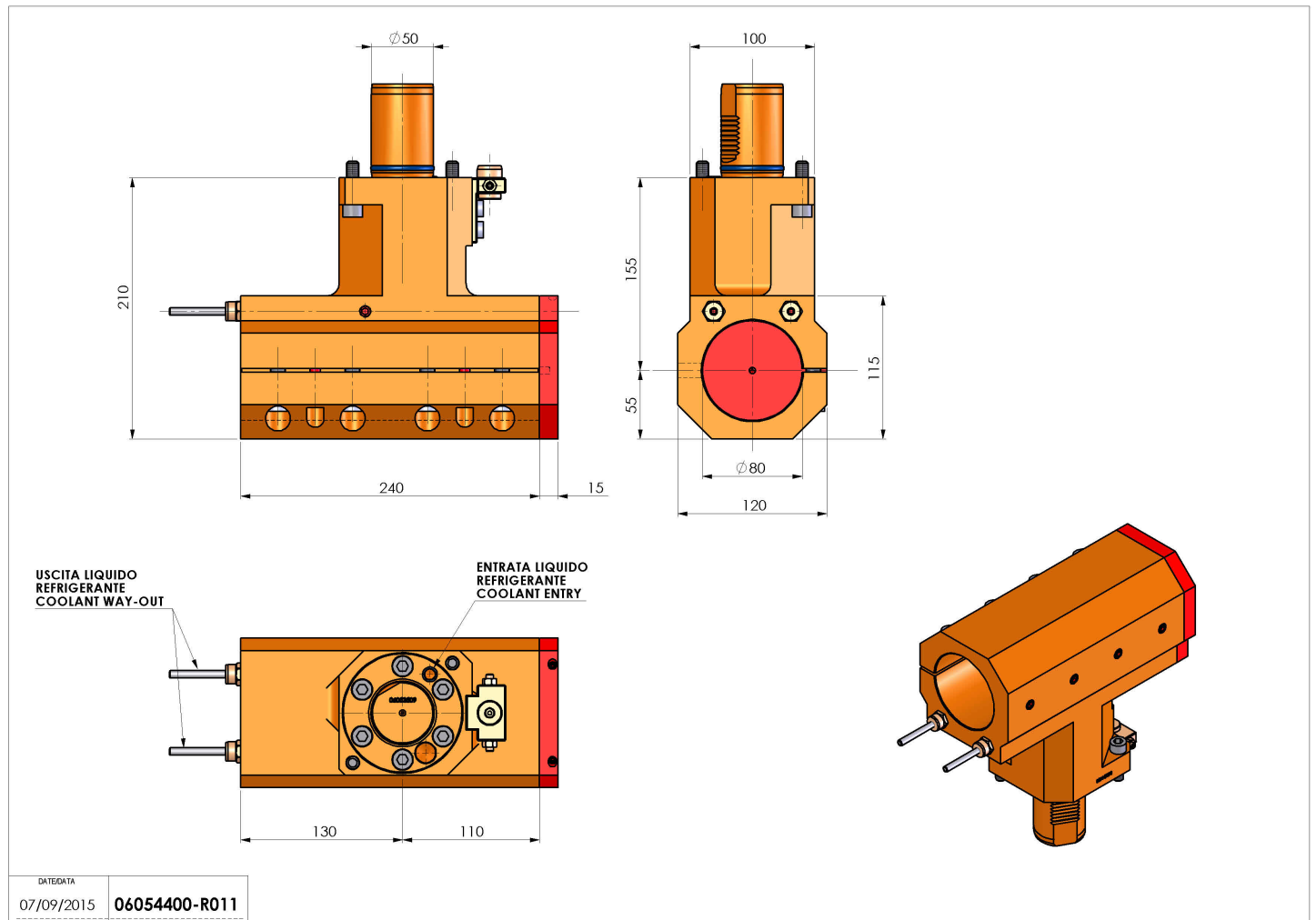
Type	TH-BRB Boring bar holder
Mounting	VDI 50
Tool output	Boring Bar Holder 80
Coolant	External / Internal coolant
H [mm]	155



Accessories	N.A.
Notes	N.A.
Mounting tips	N.A.

ATTENTION: CHECK THE ORIENTATION OF THE VDI TEETH

Always check live tool dimensions on the turret



Subject to technical changes