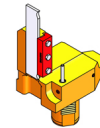


## 06054000 - TH-CUT VDI50 SP5 H145 MZ

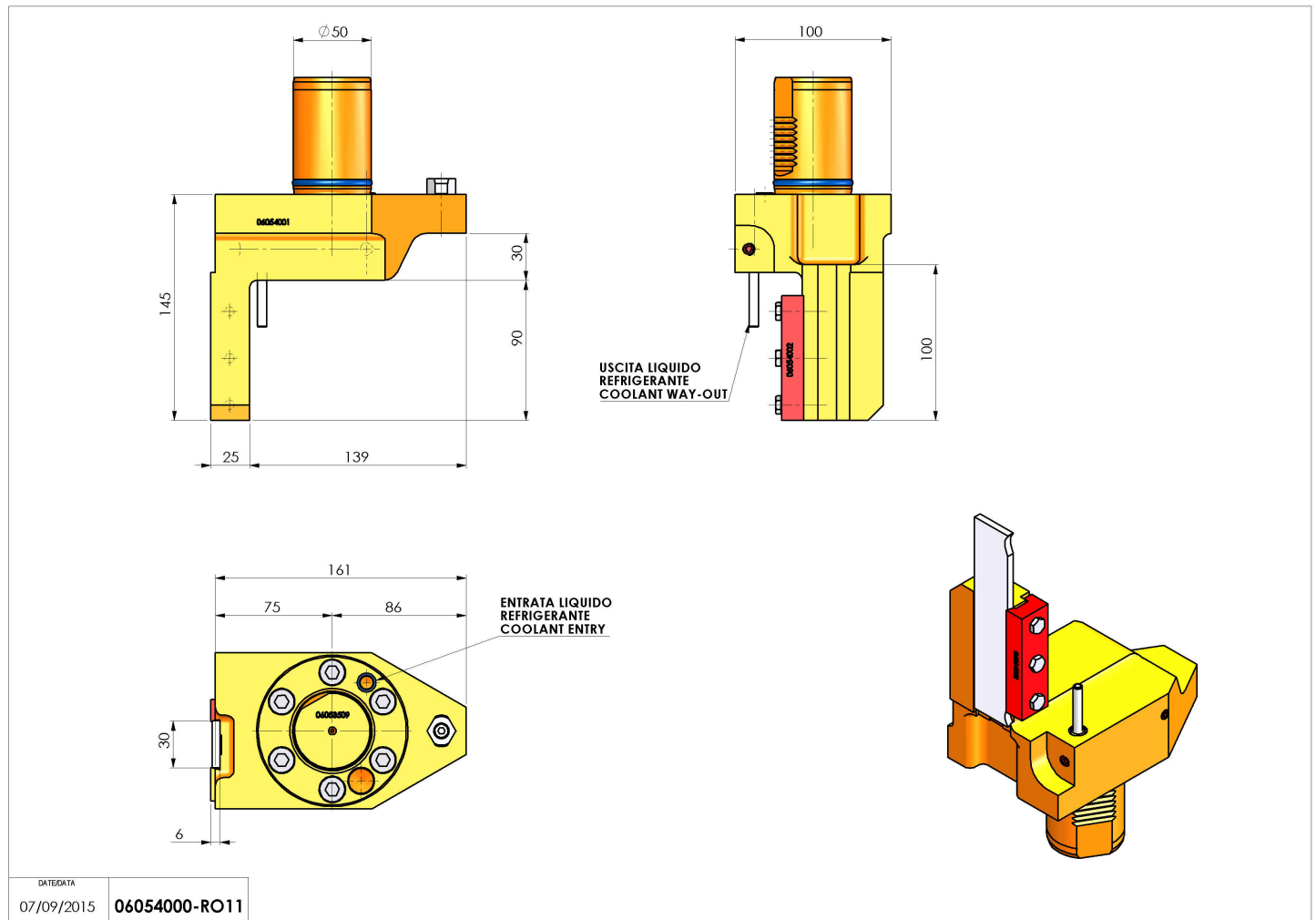
Type	TH-CUT Cutting holder
Mounting	VDI 50
Tool output	Cut Off Holder 32
Coolant	External coolant
H [mm]	145



Accessories	N.A.
Notes	N.A.
Mounting tips	N.A.

**ATTENTION: CHECK THE ORIENTATION OF THE VDI TEETH**

Always check live tool dimensions on the turret



Subject to technical changes