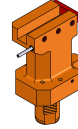


06053700 - TH-AX VDI50 H165 MZ

Type	TH-AX Axial Tool holder
Mounting	VDI 50
Tool output	Axial Square Tool Holder 25x25
Coolant	External coolant
H [mm]	165

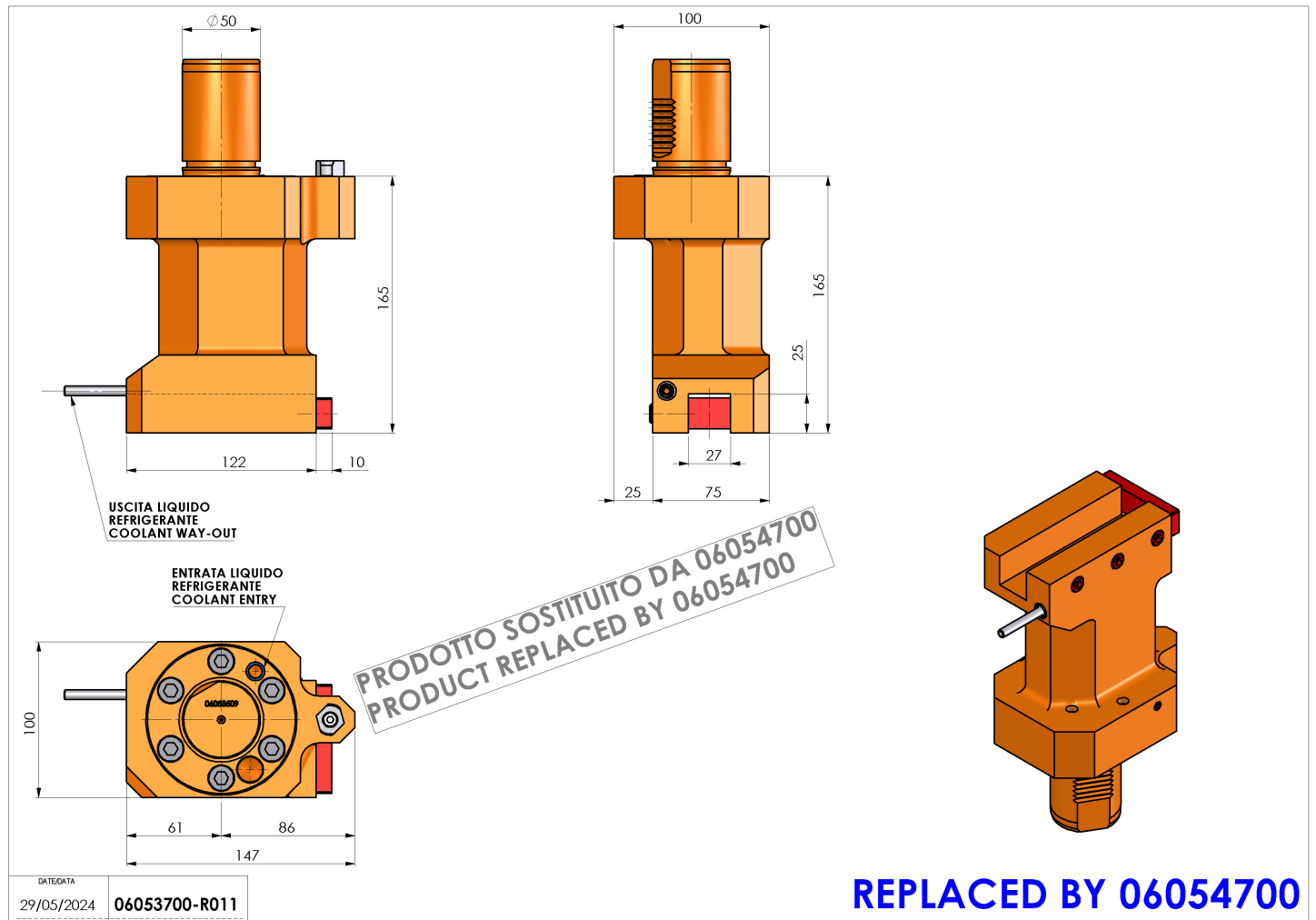


REPLACED BY 06054700

Accessories	N.A.
Notes	Soon out of stock.
Mounting tips	N.A.

ATTENTION: CHECK THE ORIENTATION OF THE VDI TEETH

Always check live tool dimensions on the turret



DATE/DATA	06053700-R011
29/05/2024	

Subject to technical changes