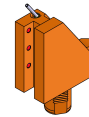


06053600 - TH-RAD SOSTITUITO DA 06054600 TH-RAD VDI50 H160 L86 SX MZ

Type	TH-RAD Radial Tool holder
Mounting	VDI 50
Tool output	Radial Square Tool Holder 25x25
Coolant	External coolant
H [mm]	160

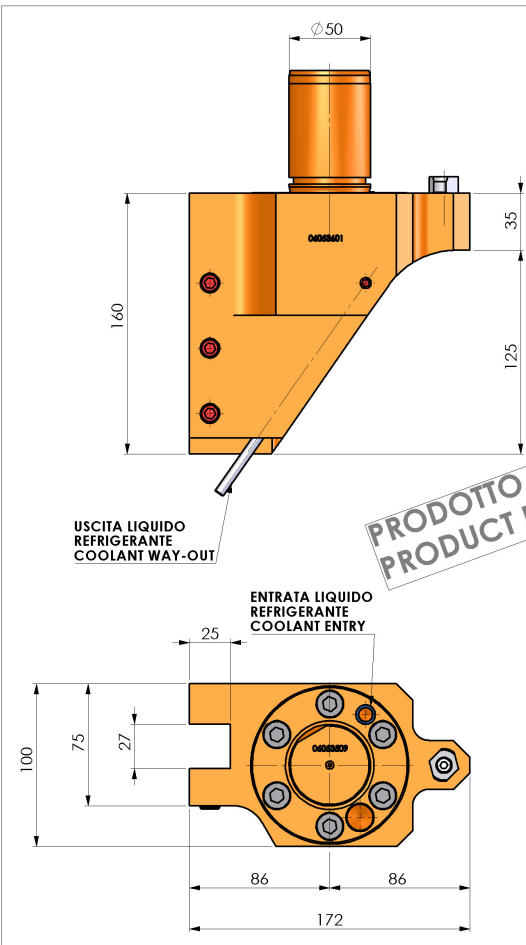


REPLACED BY 06054600

Accessories	N.A.
Notes	Replaced by cod. 06054600
Mounting tips	N.A.

ATTENTION: CHECK THE ORIENTATION OF THE VDI TEETH

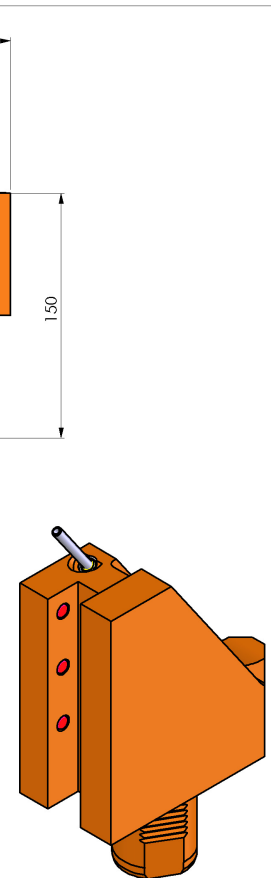
Always check live tool dimensions on the turret



USCITA LIQUIDO
REFRIGERANTE
COOLANT WAY-OUT

ENTRATA LIQUIDO
REFRIGERANTE
COOLANT ENTRY

PRODOTTO SOSTITUITO DA 06054600
 PRODUCT REPLACED BY 06054600



DATE/DATE	29/05/2024
	06053600-R011

REPLACED BY 06054600

Subject to technical changes