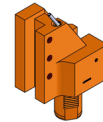


06053500 - TH-RAD SOSTITUITO DA 06054600 TH-RAD VDI50 H160 L86 DX MZ

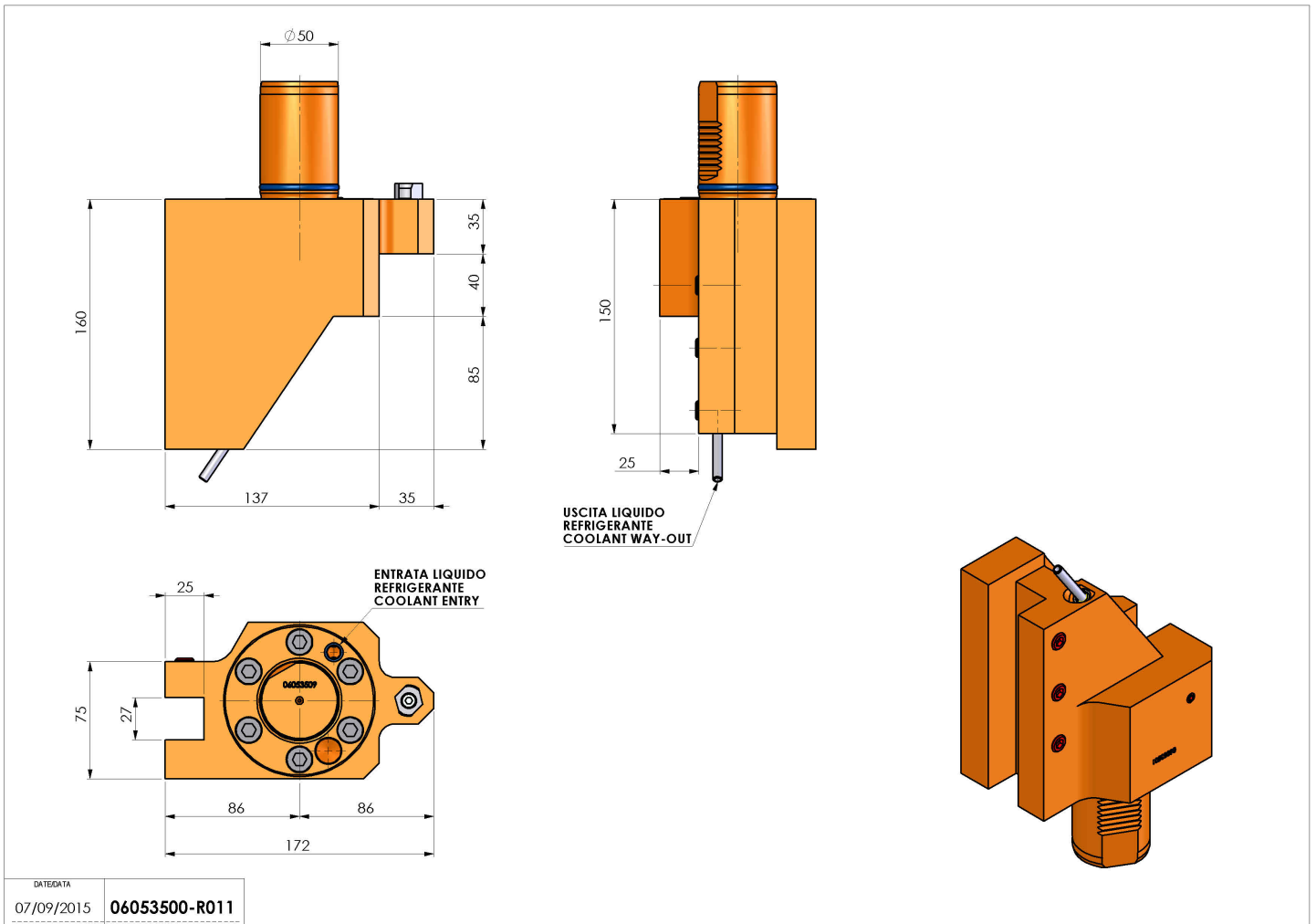
Type	TH-RAD Radial Tool holder
Mounting	VDI 50
Tool output	Radial Square Tool Holder 25x25
Coolant	External coolant
H [mm]	160



Accessories	N.A.
Notes	Replaced by cod. 06054600
Mounting tips	N.A.

ATTENTION: CHECK THE ORIENTATION OF THE VDI TEETH

Always check live tool dimensions on the turret



DATE/DATE	07/09/2015
PART NUMBER	06053500-R011

Subject to technical changes