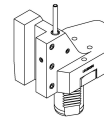


06052100 - TH-RAD VDI40 H100 L65 DX MZ

Type	TH-RAD Radial Tool holder
Mounting	VDI 40
Tool output	Radial Square Tool Holder 20x20
Coolant	External coolant
H [mm]	100

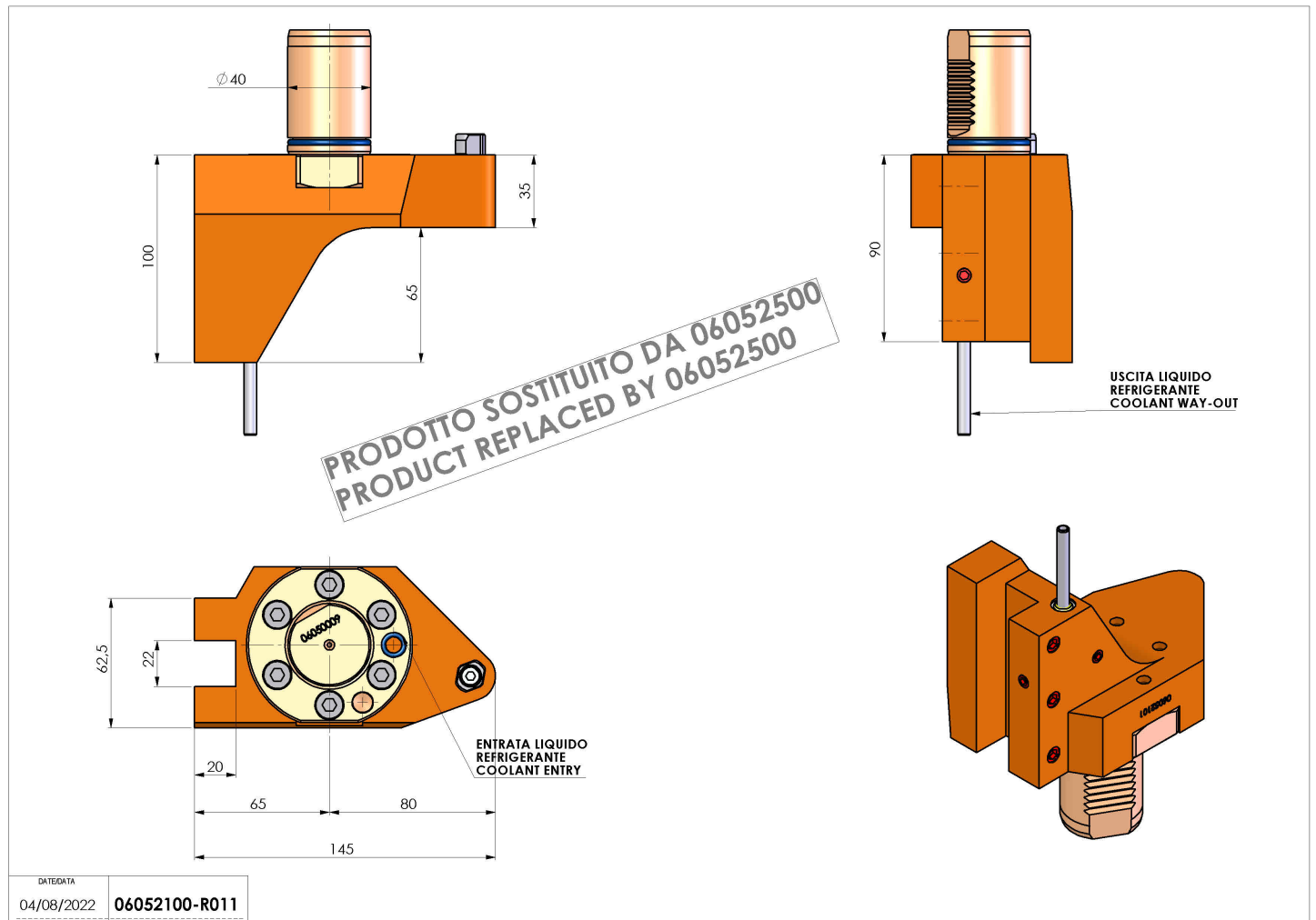


REPLACED BY 06052500

Accessories	N.A.
Notes	Soon out of stock. Replaced by cod. 06052500
Mounting tips	N.A.

ATTENTION: CHECK THE ORIENTATION OF THE VDI TEETH

Always check live tool dimensions on the turret



Subject to technical changes