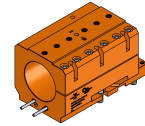


06044400 - TH-BRB D75 D4" (101.6) L200-285 H85 TAGL

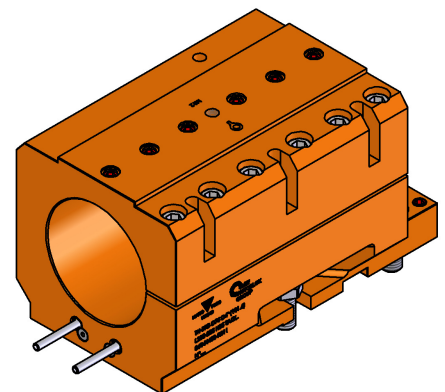
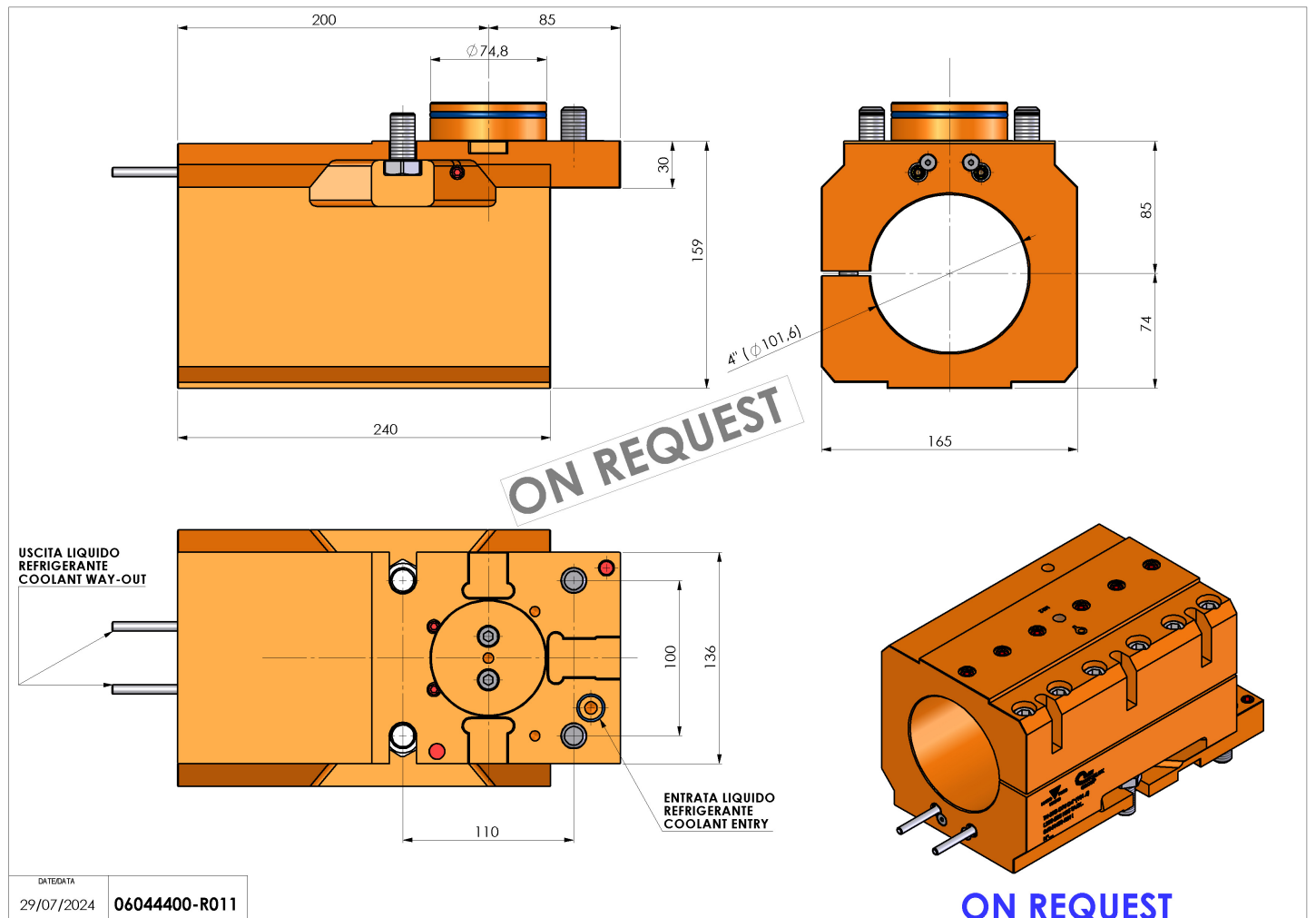
Type	TH-BRB Boring bar holder
Mounting	CYLINDRICAL SHANK 75
Tool output	Boring Bar Holder 4"
Coolant	External coolant
H [mm]	85



ON REQUEST

Accessories	N.A.
Notes	N.A.
Mounting tips	Main spindle only

Always check live tool dimensions on the turret



ON REQUEST

Subject to technical changes

DATE/DATE	06044400-R011
29/07/2024	