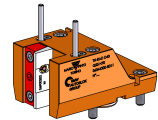


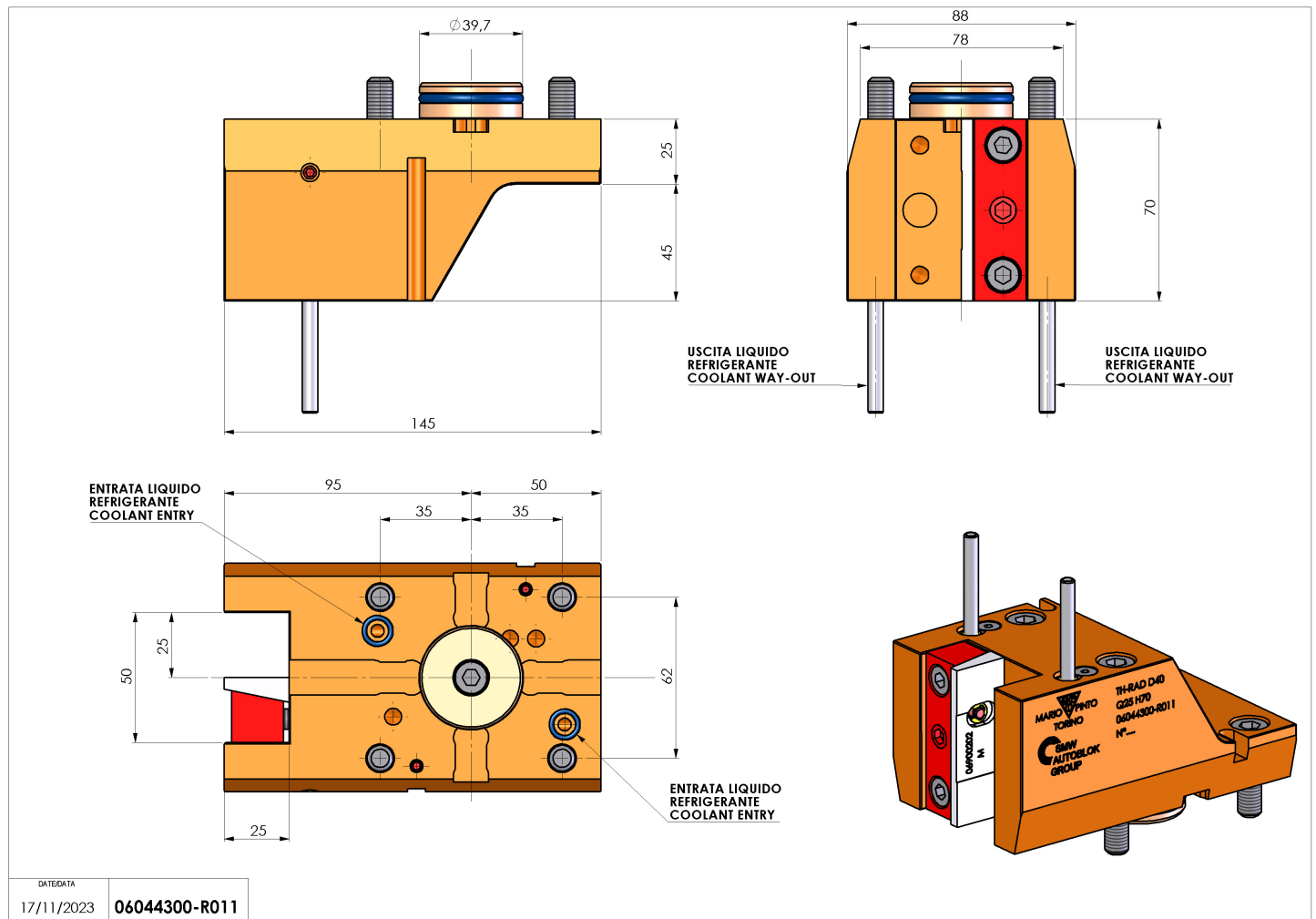
06044300 - TH-RAD D40 Q25 H70

Type	TH-RAD Radial Tool holder
Mounting	CYLINDRICAL SHANK 40
Tool output	Radial Square Tool Holder 25x25
Coolant	External coolant
H [mm]	70



Accessories	N.A.
Notes	N.A.
Mounting tips	N.A.

Always check live tool dimensions on the turret



DATE/DATE	17/11/2023
06044300-R011	

Subject to technical changes