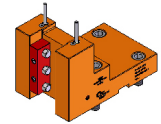


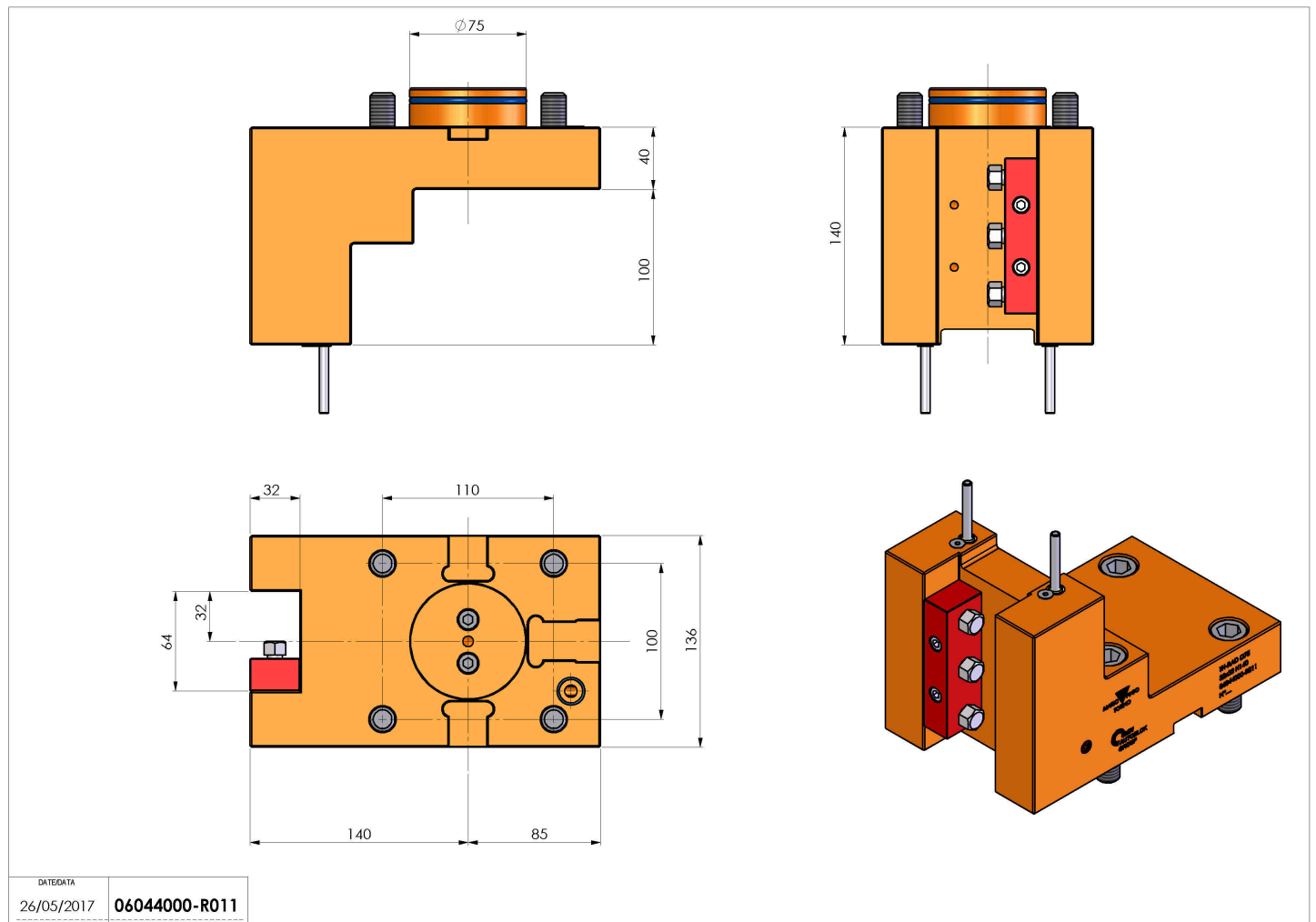
06044000 - TH-RAD D75 32X32 H140

| | |
|--------------------|---------------------------------|
| Type | TH-RAD Radial Tool holder |
| Mounting | CYLINDRICAL SHANK 75 |
| Tool output | Radial Square Tool Holder 32x32 |
| Coolant | External coolant |
| H [mm] | 140 |



| | |
|----------------------|-------------------|
| Accessories | N.A. |
| Notes | N.A. |
| Mounting tips | Main spindle only |

Always check live tool dimensions on the turret



| | |
|------------|----------------------|
| DATE/DATE | |
| 26/05/2017 | 06044000-R011 |

Subject to technical changes