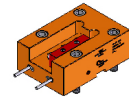


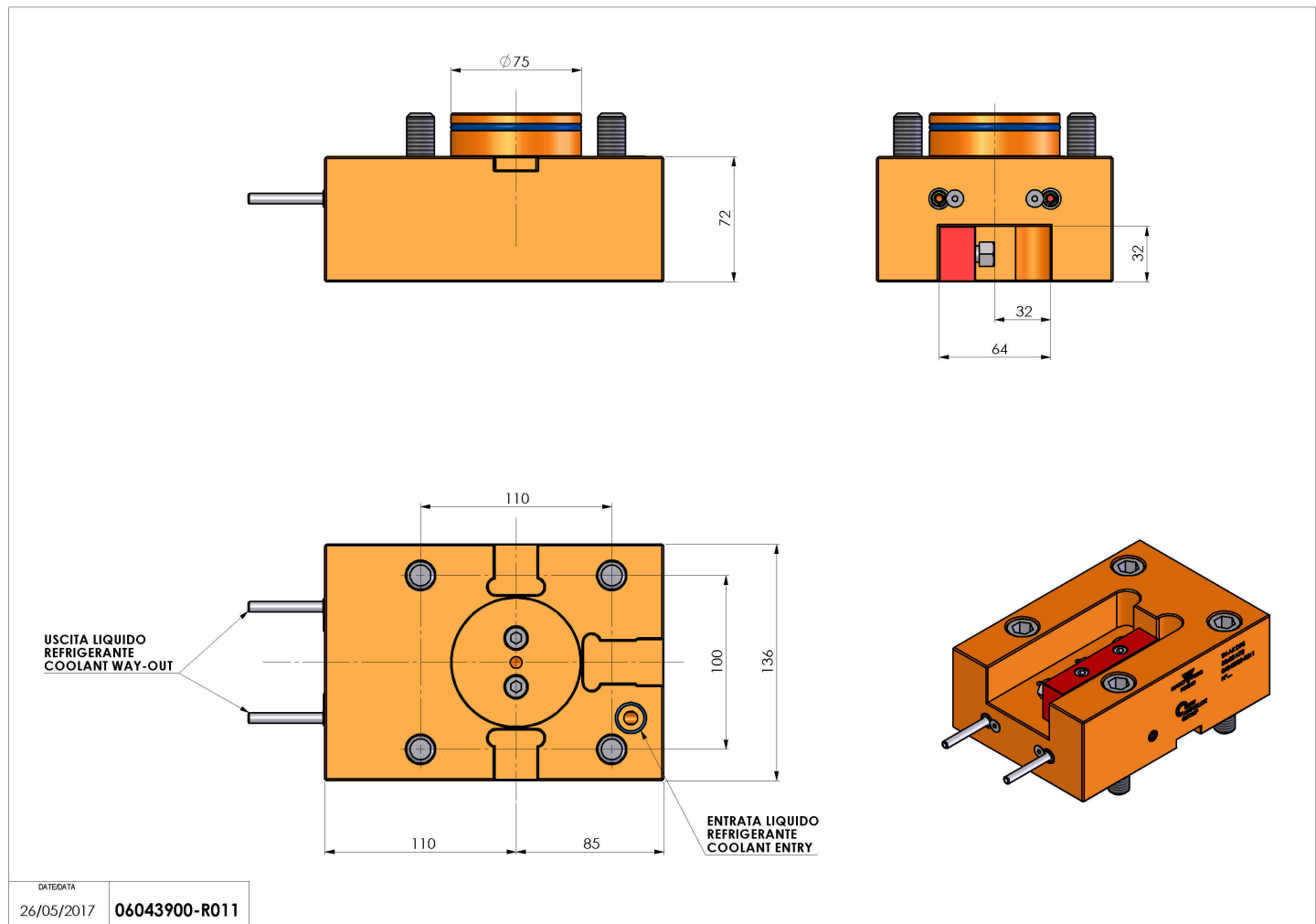
# 06043900 - TH-AX D75 32X32 H72

|             |                                |
|-------------|--------------------------------|
| Type        | TH-AX<br>Axial Tool holder     |
| Mounting    | CYLINDRICAL SHANK 75           |
| Tool output | Axial Square Tool Holder 32x32 |
| Coolant     | External coolant               |
| H [mm]      | 72                             |



|               |                   |
|---------------|-------------------|
| Accessories   | N.A.              |
| Notes         | N.A.              |
| Mounting tips | Main spindle only |

Always check live tool dimensions on the turret



|           |            |               |
|-----------|------------|---------------|
| DATE/DATE | 26/05/2017 | 06043900-R011 |
|-----------|------------|---------------|

Subject to technical changes