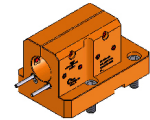


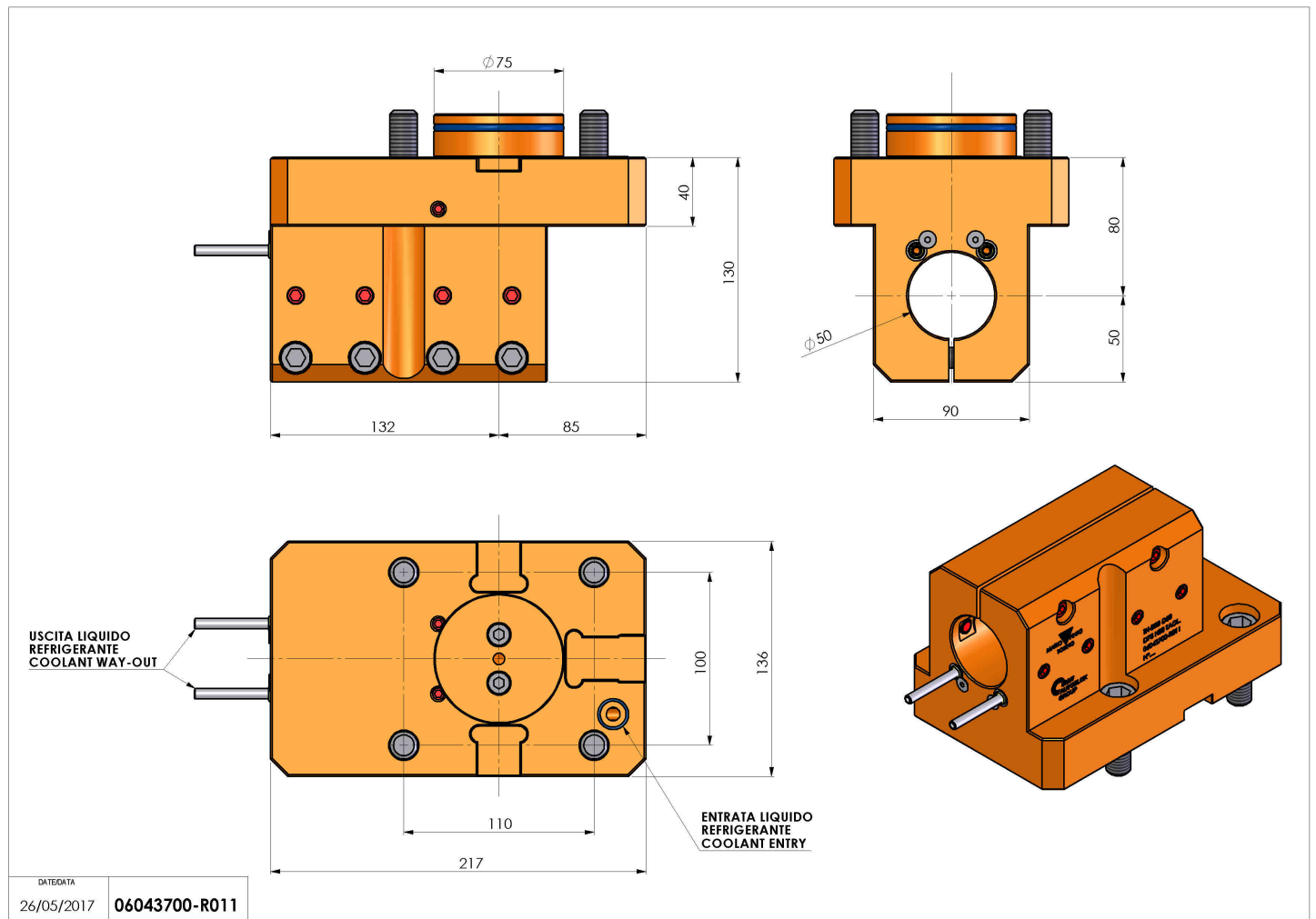
# 06043700 - TH-BRB D75 D50 H80 TAGL

Type	TH-BRB Boring bar holder
Mounting	CYLINDRICAL SHANK 75
Tool output	Boring Bar Holder 50
Coolant	External coolant
H [mm]	80



Accessories	N.A.
Notes	N.A.
Mounting tips	Main spindle only

Always check live tool dimensions on the turret



Subject to technical changes