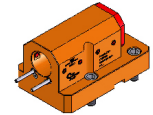


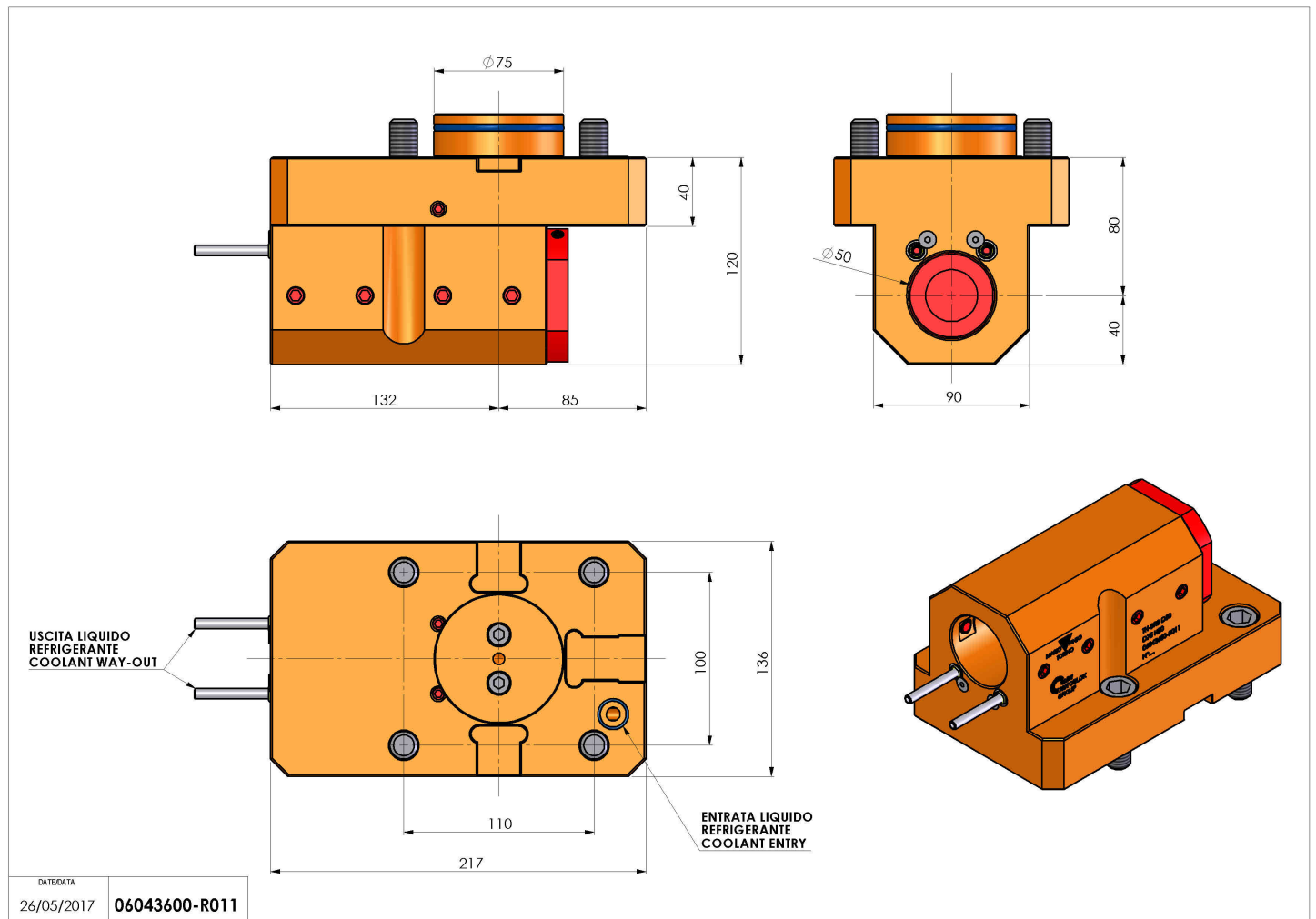
## 06043600 - TH-BRB D75 D50 HRF H80

<b>Type</b>	TH-BRB Boring bar holder
<b>Mounting</b>	CYLINDRICAL SHANK 75
<b>Tool output</b>	Boring Bar Holder 50
<b>Coolant</b>	External / Internal coolant
<b>H [mm]</b>	80



<b>Accessories</b>	N.A.
<b>Notes</b>	N.A.
<b>Mounting tips</b>	Main spindle only

Always check live tool dimensions on the turret



DATE/DATE: 26/05/2017  
**06043600-R011**

Subject to technical changes