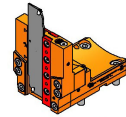


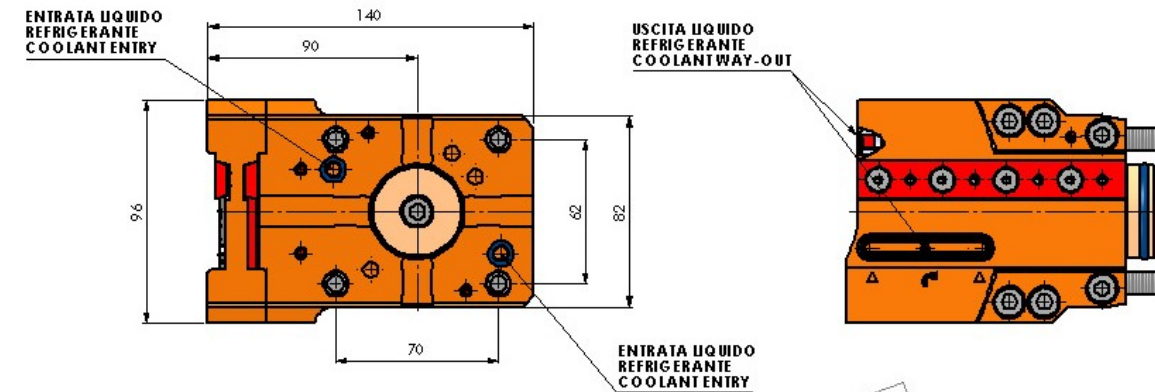
# 06043400 - TH-CUT D40 U 1-1/4" (32) HRF H120 SPC

Type	TH-CUT Cutting holder
Mounting	CYLINDRICAL SHANK 40
Tool output	Cut Off Holder 1-1/4"(32)
Coolant	HRF Internal coolant
H [mm]	120
Max pressure [bar]	80
Accessories	N.A.
Notes	N.A.
Mounting tips	N.A.

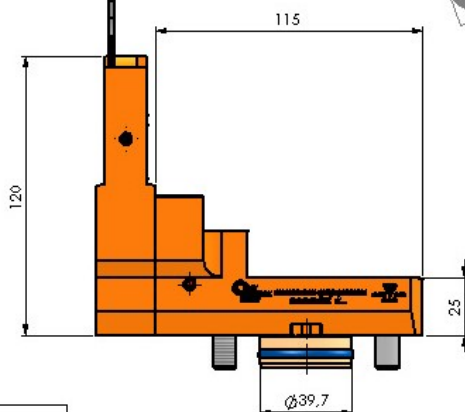


ON REQUEST

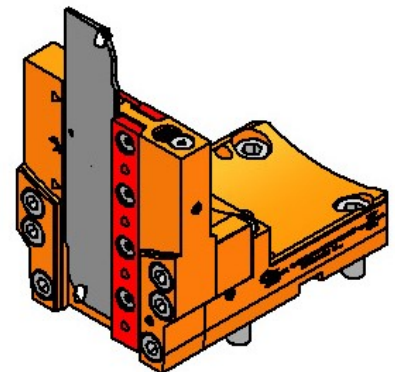
Always check live tool dimensions on the turret



LAMA 1-1/4 (32)x3-4  
NO INCLUSA  
CUT-OFF TOOL 1-1/4  
(32)x3-4 NOT  
INCLUDED



ON REQUEST



ON REQUEST

28/02/2024	06043400-R011
------------	---------------

Subject to technical changes