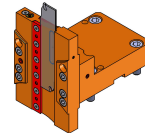
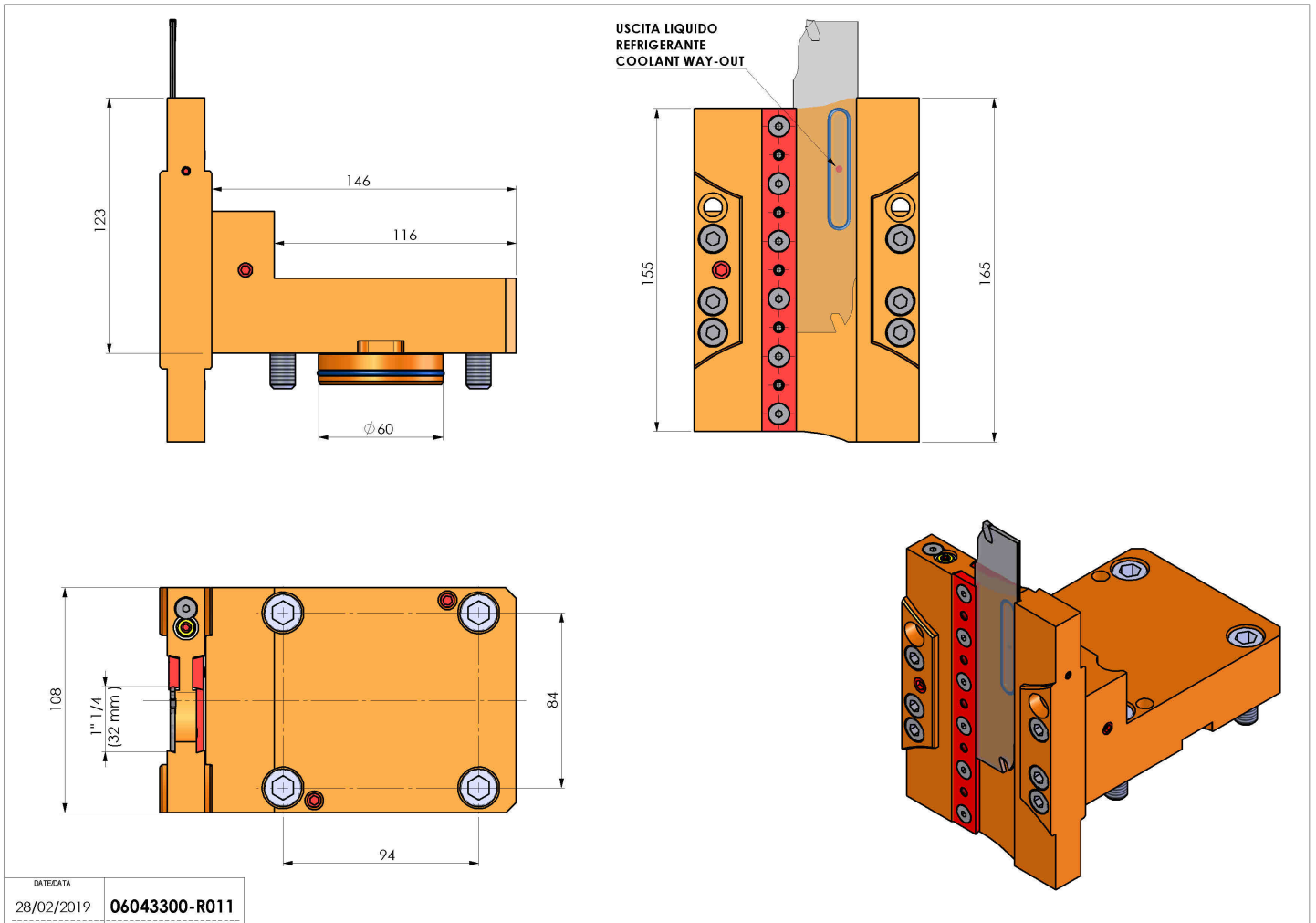


06043300 - TH-CUT D60 U1-1/4"(32)HRF H123

Type	TH-CUT Cutting holder
Mounting	CYLINDRICAL SHANK 60
Tool output	Cut Off Holder 1-1/4"(32)
Coolant	HRF Internal coolant
H [mm]	123
Max pressure [bar]	80
Accessories	N.A.
Notes	N.A.
Mounting tips	N.A.



Always check live tool dimensions on the turret



DATE/DATE	
28/02/2019	06043300-R011

Subject to technical changes