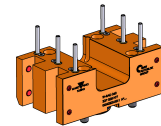


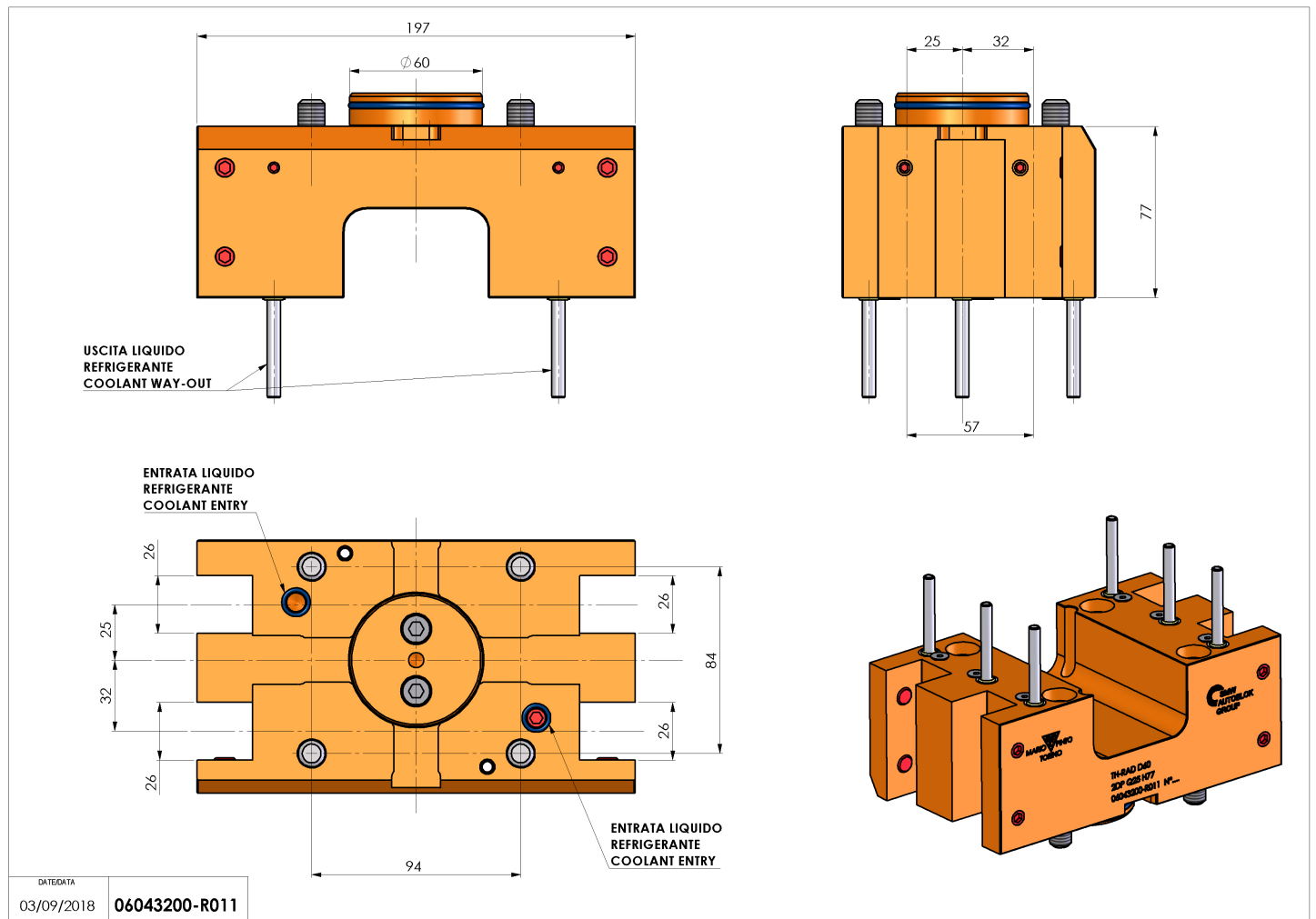
# 06043200 - TH-RAD D60 2DP Q25 H77

<b>Type</b>	TH-RAD Radial Tool holder
<b>Mounting</b>	CYLINDRICAL SHANK 60
<b>Tool output</b>	Radial Square Tool Holder 25x25
<b>Coolant</b>	External coolant
<b>H [mm]</b>	77



<b>Accessories</b>	N.A.
<b>Notes</b>	N.A.
<b>Mounting tips</b>	N.A.

Always check live tool dimensions on the turret



Subject to technical changes