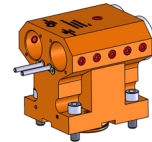


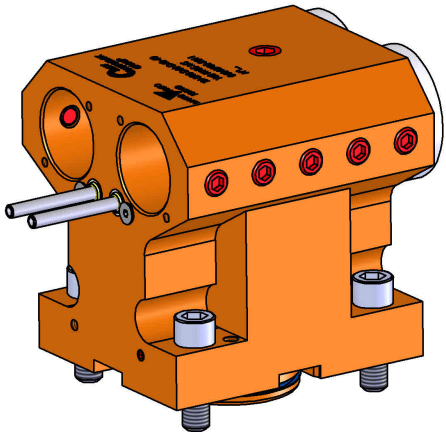
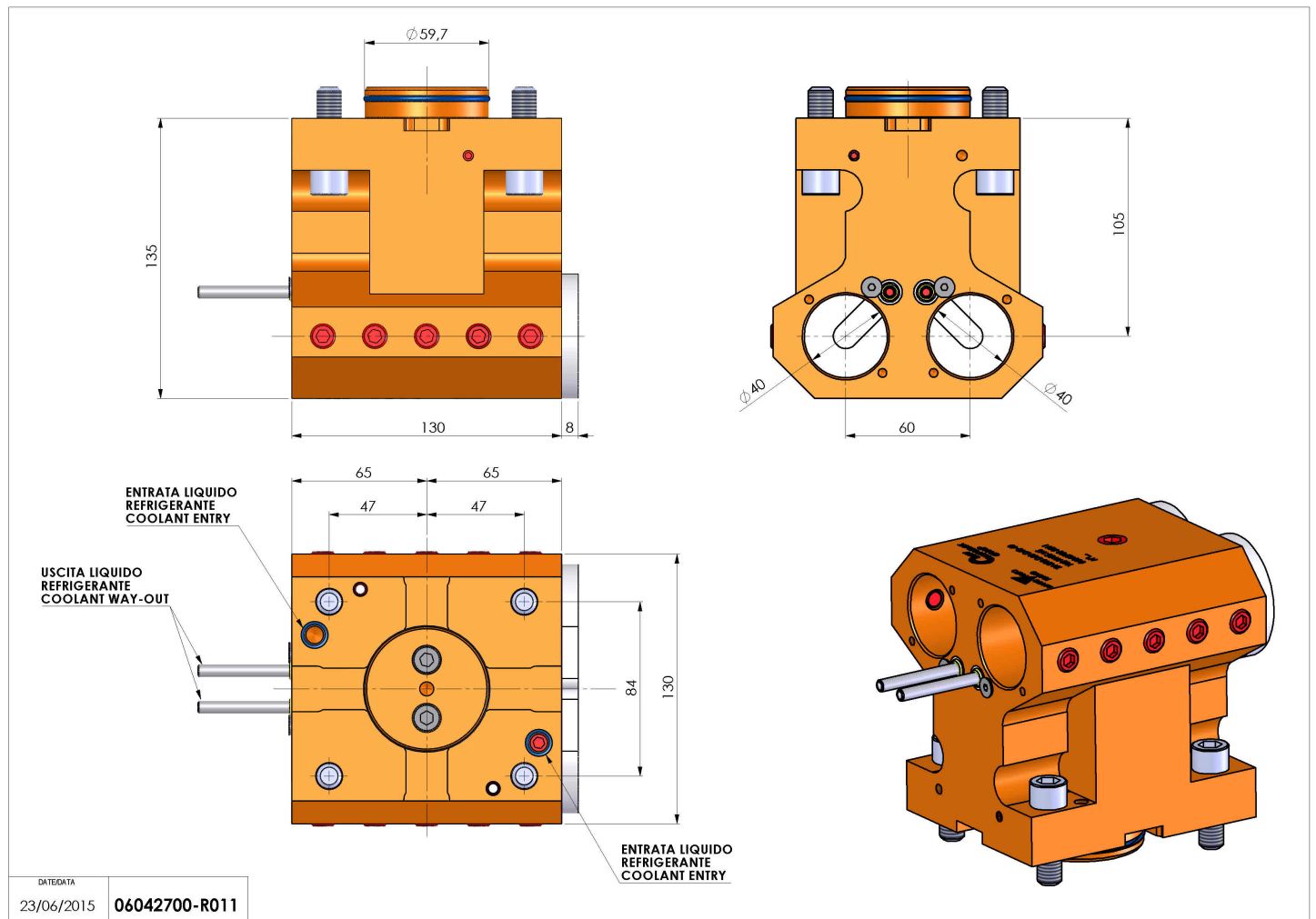
06042700 - TH-BRB D60 D40-40 Y60 H105 MS

| | |
|--------------------|-----------------------------|
| Type | TH-BRB Boring bar holder |
| Mounting | CYLINDRICAL SHANK 60 |
| Tool output | Boring Bar Holder 40 |
| Coolant | External / Internal coolant |
| H [mm] | 105 |



| | |
|----------------------|------|
| Accessories | N.A. |
| Notes | N.A. |
| Mounting tips | N.A. |

Always check live tool dimensions on the turret



Subject to technical changes

| | | |
|-----------|------------|---------------|
| DATE/DATA | 23/06/2015 | 06042700-R011 |
|-----------|------------|---------------|