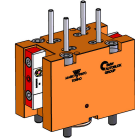


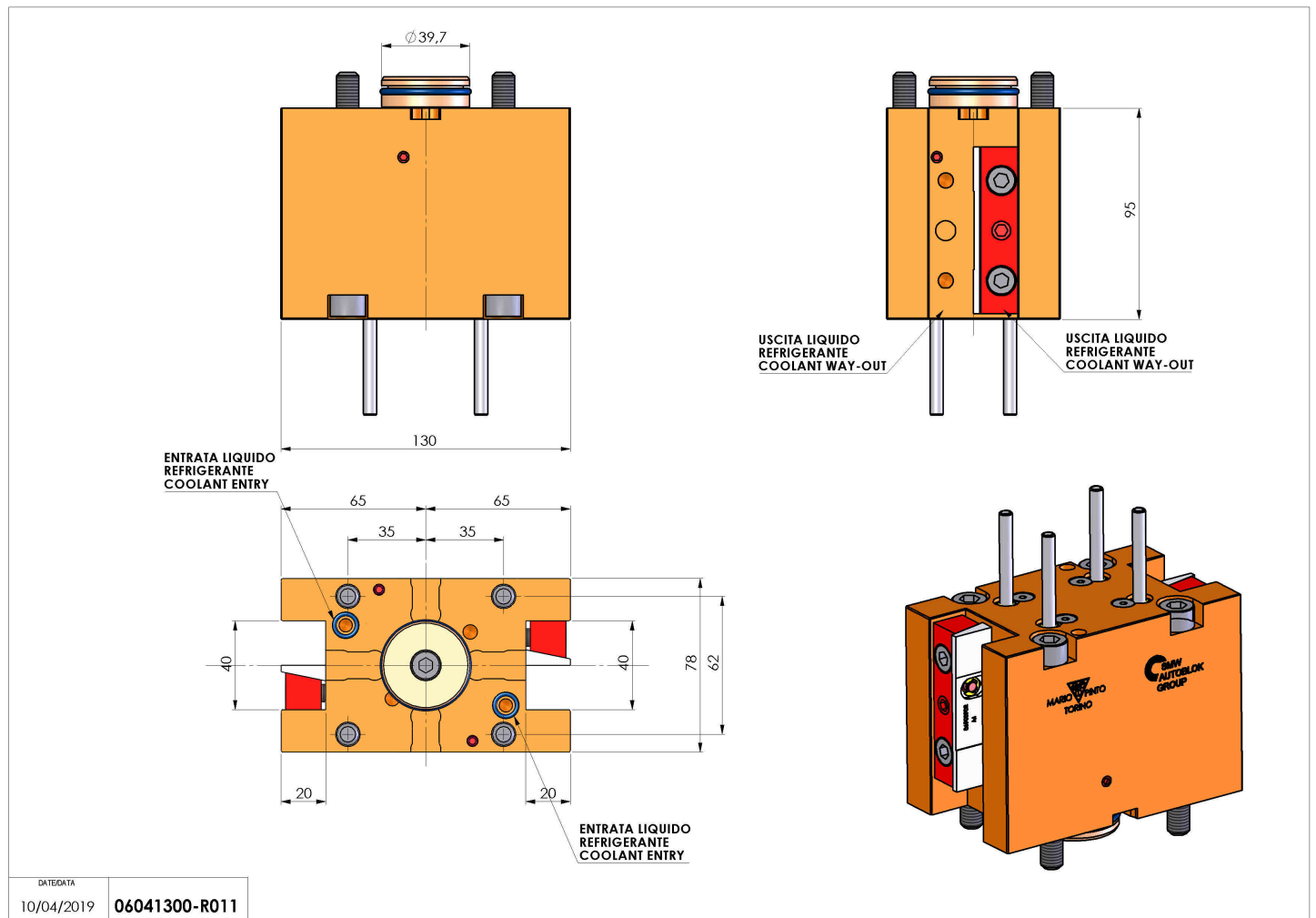
06041300 - TH-RAD D40 Q20 L-R H95

Type	TH-RAD Radial Tool holder
Mounting	CYLINDRICAL SHANK 40
Tool output	Radial Square Tool Holder 20x20
Coolant	External coolant
H [mm]	95



Accessories	N.A.
Notes	N.A.
Mounting tips	N.A.

Always check live tool dimensions on the turret



DATE/DATE	10/04/2019	06041300-R011
-----------	------------	---------------

Subject to technical changes