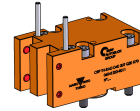


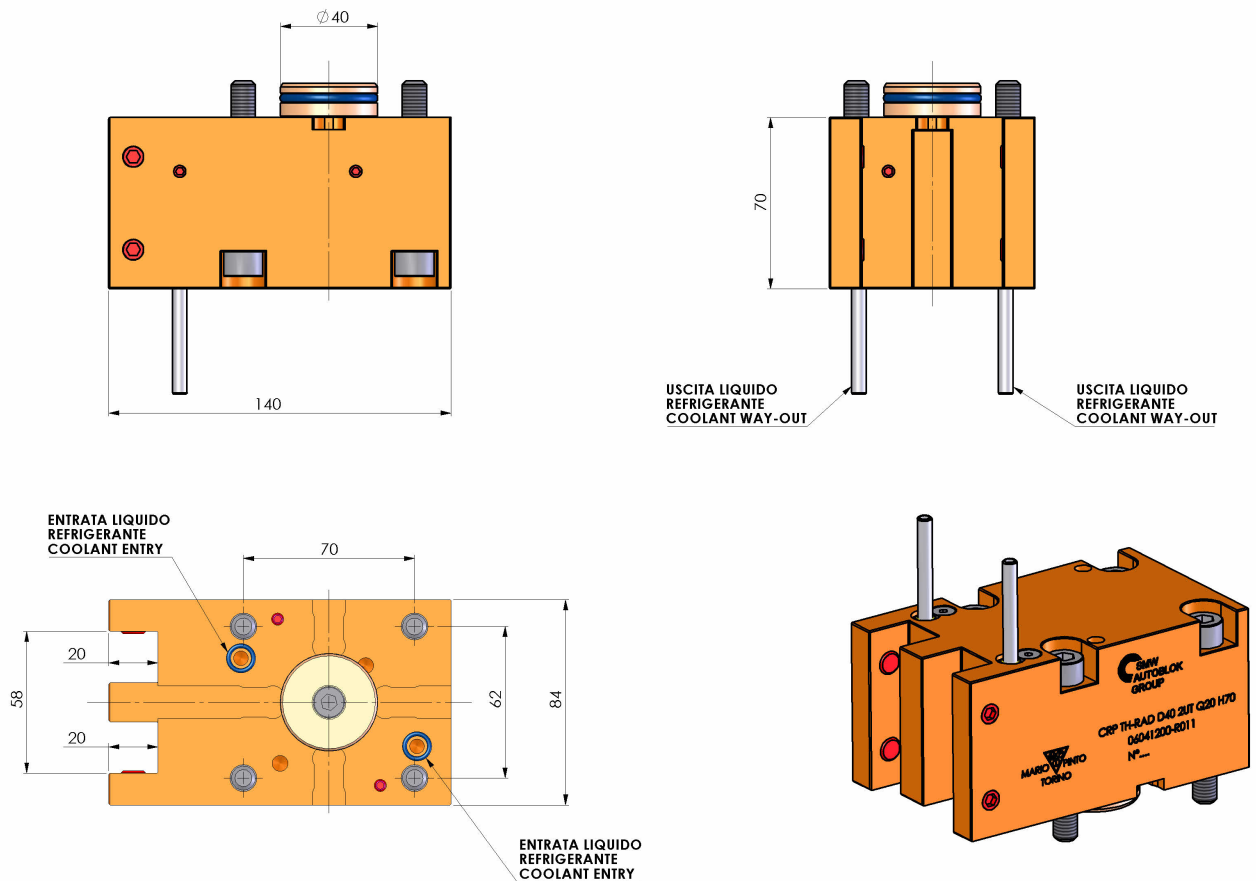
06041200 - TH-RAD D40 2UT Q20 H70

Type	TH-RAD Radial Tool holder
Mounting	CYLINDRICAL SHANK 40
Tool output	Radial Square Tool Holder 20x20
Coolant	External coolant
H [mm]	70



Accessories	N.A.
Notes	N.A.
Mounting tips	N.A.

Always check live tool dimensions on the turret



DATE/DATE	17/01/2019	06041200-R011
-----------	------------	---------------

Subject to technical changes