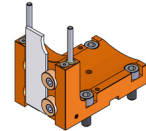


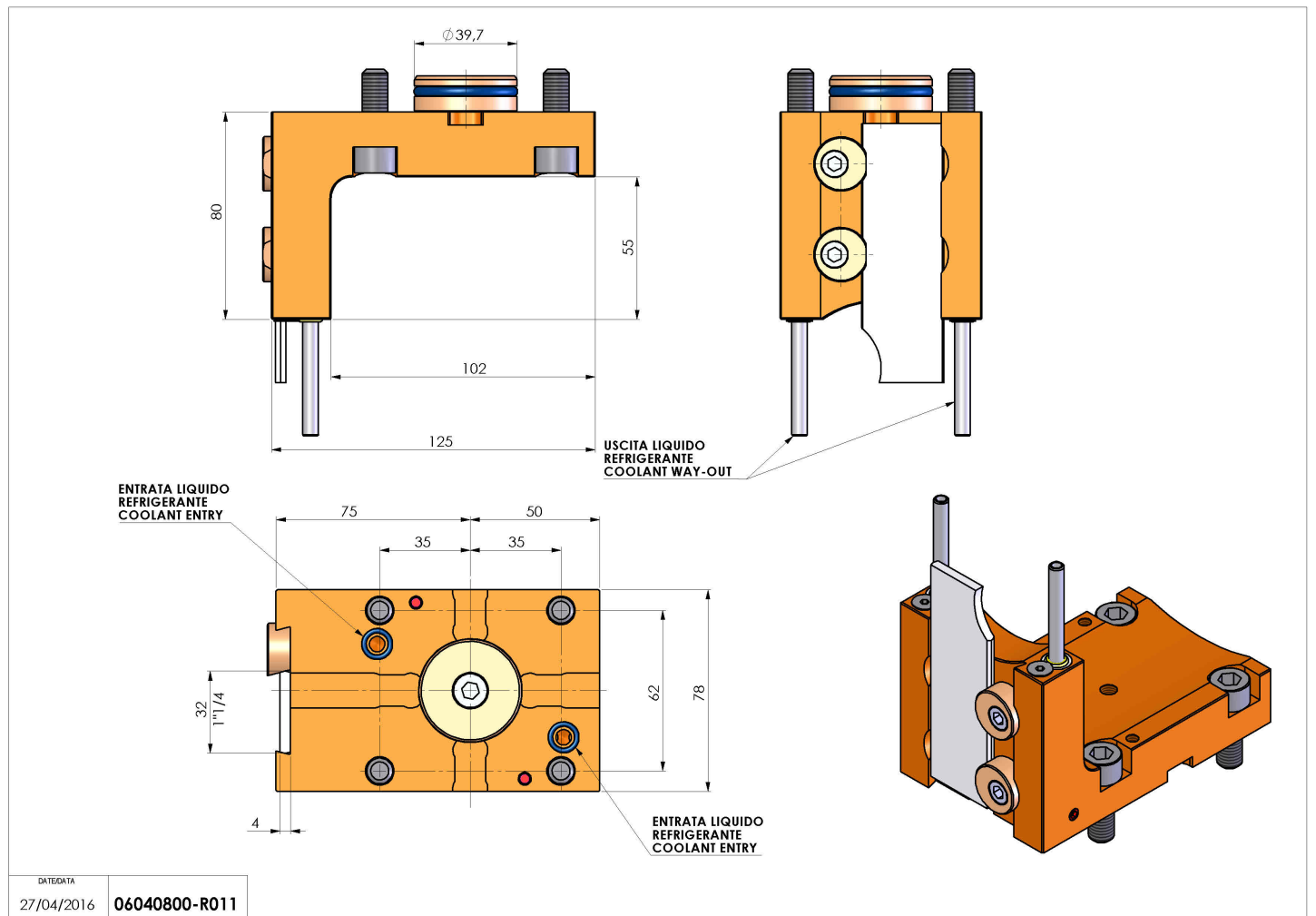
06040800 - TH-CUT D40 UT1-1/4" (32) MS

Type	TH-CUT Cutting holder
Mounting	CYLINDRICAL SHANK 40
Tool output	Cut Off Holder 1-1/4"(32)
Coolant	External coolant
H [mm]	80



Accessories	N.A.
Notes	N.A.
Mounting tips	N.A.

Always check live tool dimensions on the turret



DATE/DATE	06040800-R011
27/04/2016	

Subject to technical changes