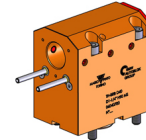


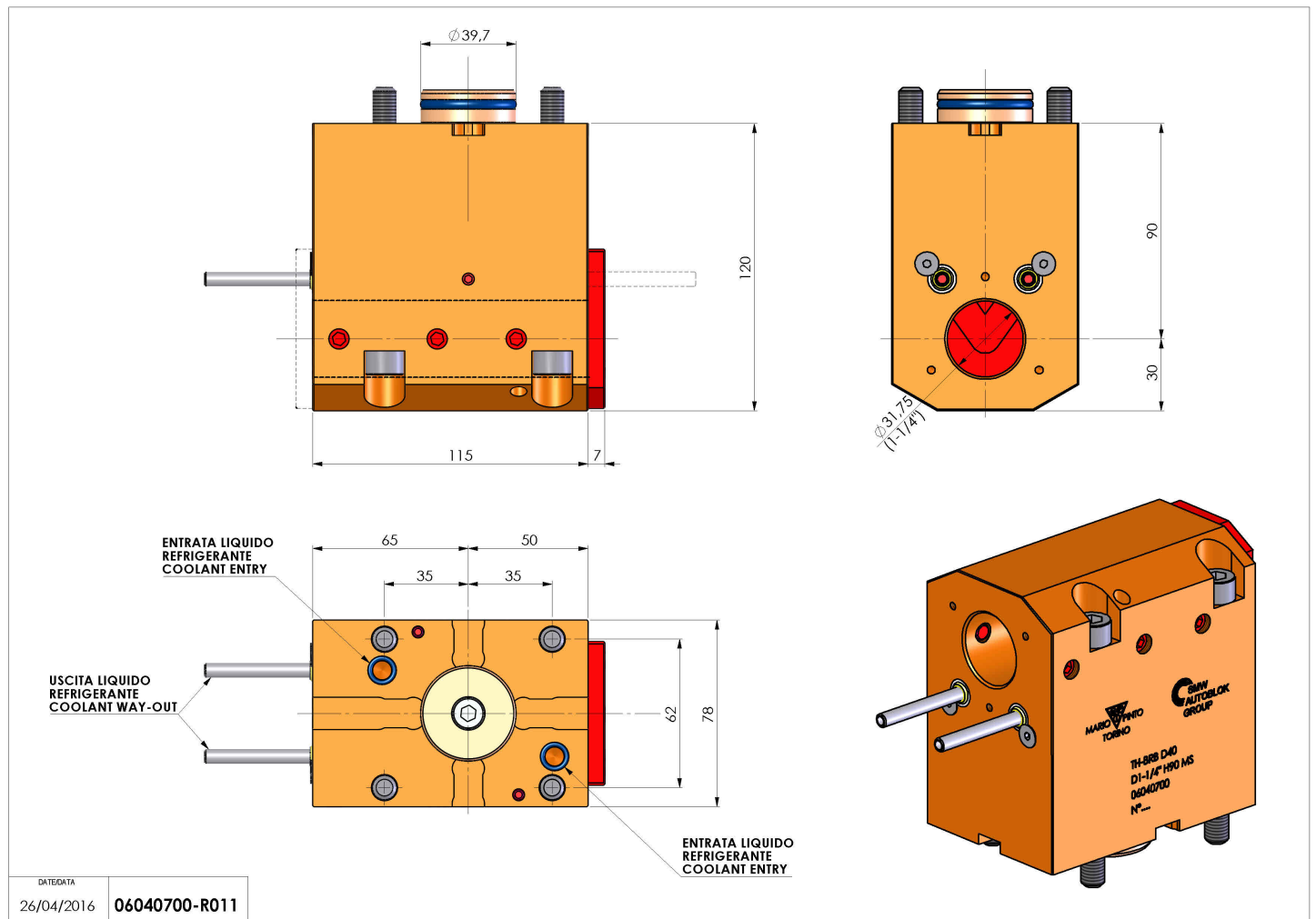
06040700 - TH-BRB D40 D1-1/4" H90 MS

Type	TH-BRB Boring bar holder
Mounting	CYLINDRICAL SHANK 40
Tool output	Boring Bar Holder 1-1/4"
Coolant	External / Internal coolant
H [mm]	90



Accessories	N.A.
Notes	N.A.
Mounting tips	N.A.

Always check live tool dimensions on the turret



DATE/DATE	06040700-R011
26/04/2016	

Subject to technical changes