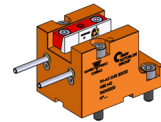


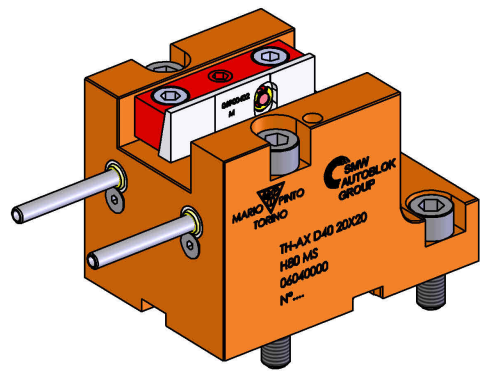
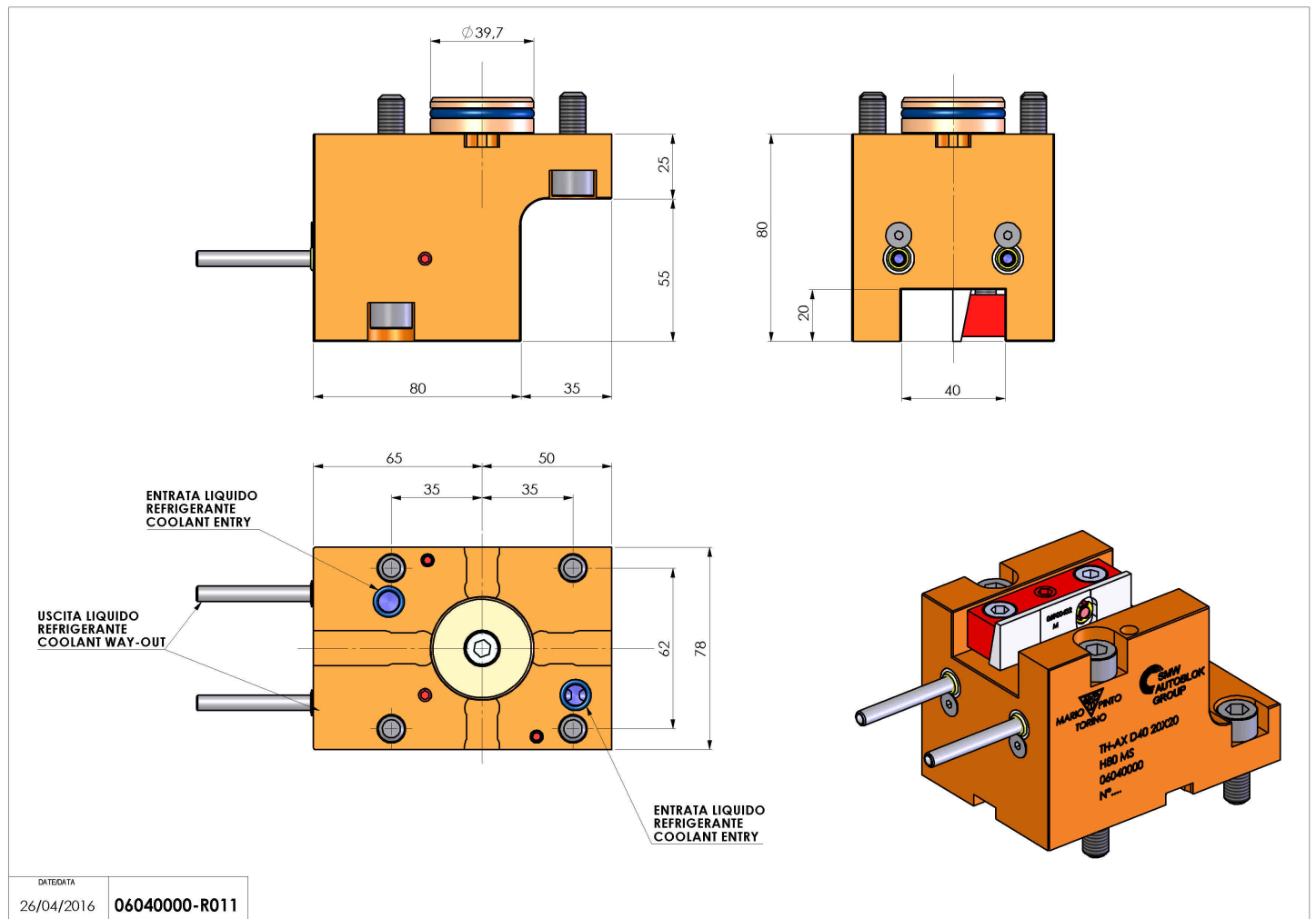
# 06040000 - TH-AX D40 20X20 H80 MS

<b>Type</b>	TH-AX Axial Tool holder
<b>Mounting</b>	CYLINDRICAL SHANK 40
<b>Tool output</b>	Axial Square Tool Holder 20x20
<b>Coolant</b>	External coolant
<b>H [mm]</b>	80



<b>Accessories</b>	N.A.
<b>Notes</b>	N.A.
<b>Mounting tips</b>	N.A.

Always check live tool dimensions on the turret



Subject to technical changes

DATE/DATE	26/04/2016
PART NUMBER	06040000-R011