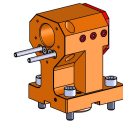


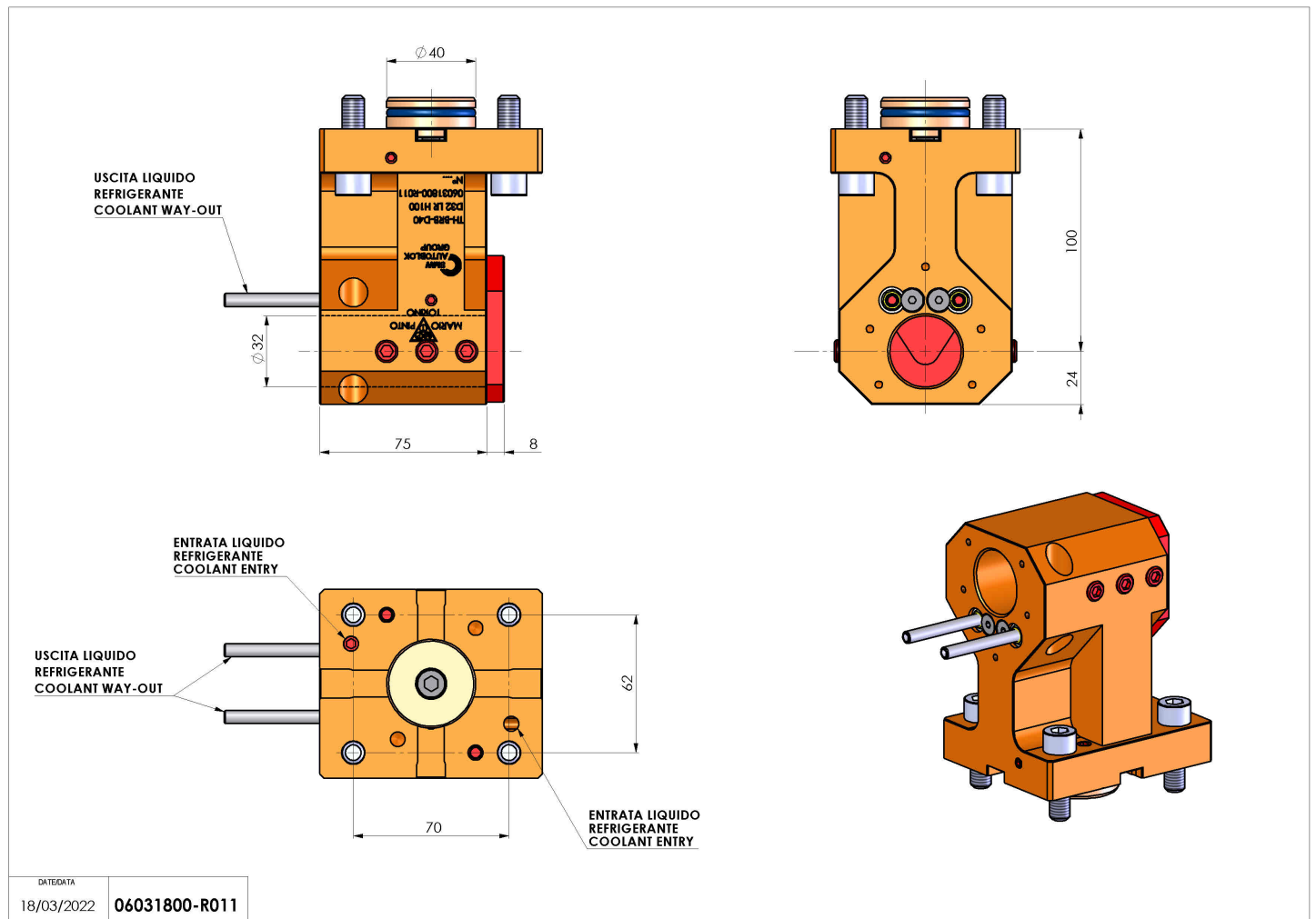
06031800 - TH-BRB D40 D32 LR H100

Type	TH-BRB Boring bar holder
Mounting	CYLINDRICAL SHANK 40
Tool output	Boring Bar Holder 32
Coolant	External / Internal coolant
H [mm]	100



Accessories	N.A.
Notes	N.A.
Mounting tips	N.A.

Always check live tool dimensions on the turret



Subject to technical changes