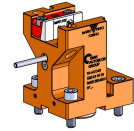
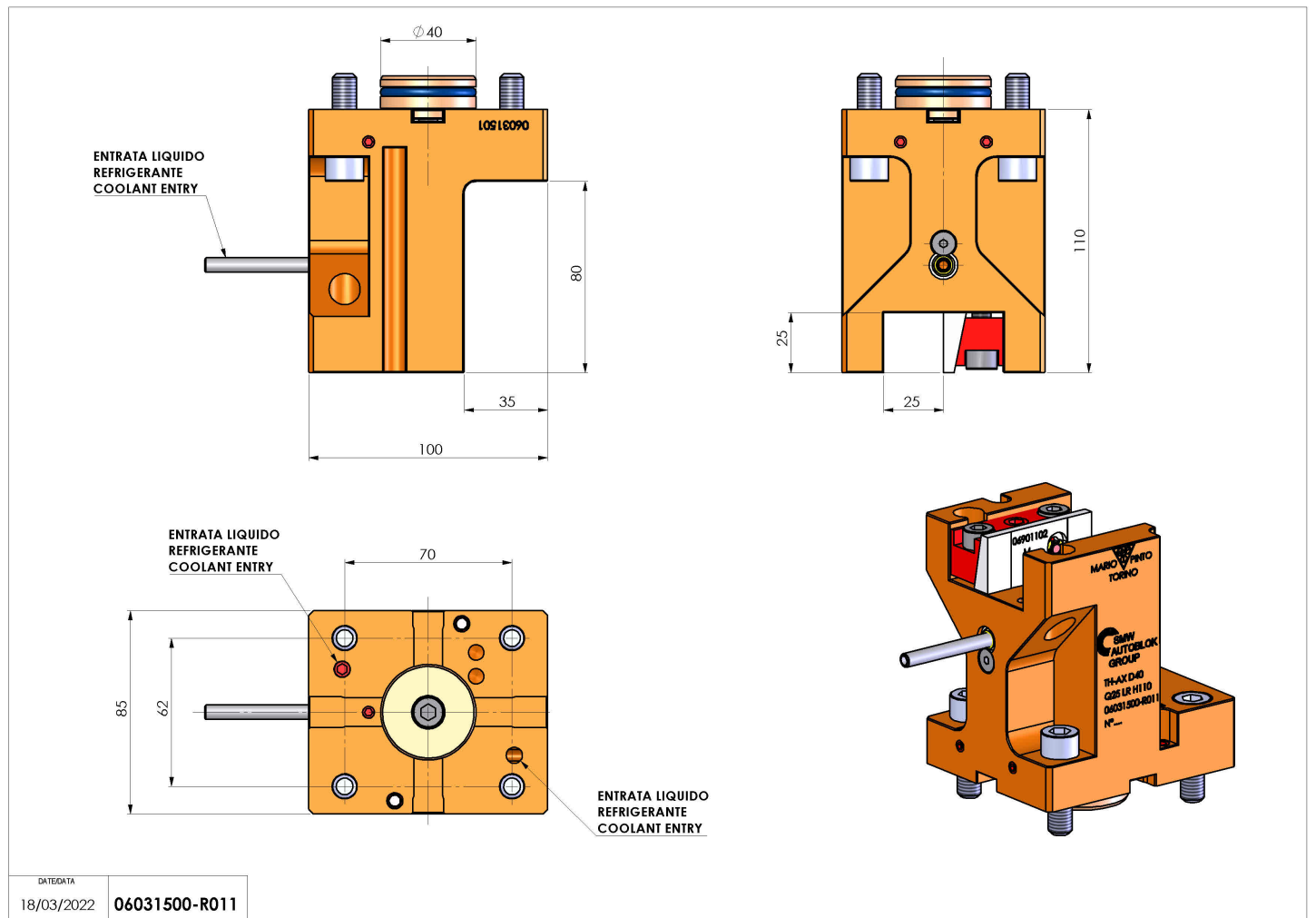


# 06031500 - TH-AX D40 Q25 LR H110

|               |                                |
|---------------|--------------------------------|
| Type          | TH-AX<br>Axial Tool holder     |
| Mounting      | CYLINDRICAL SHANK 40           |
| Tool output   | Axial Square Tool Holder 25x25 |
| Coolant       | External coolant               |
| H [mm]        | 110                            |
| Accessories   | N.A.                           |
| Notes         | N.A.                           |
| Mounting tips | N.A.                           |



Always check live tool dimensions on the turret



Subject to technical changes