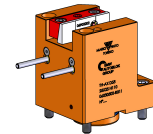


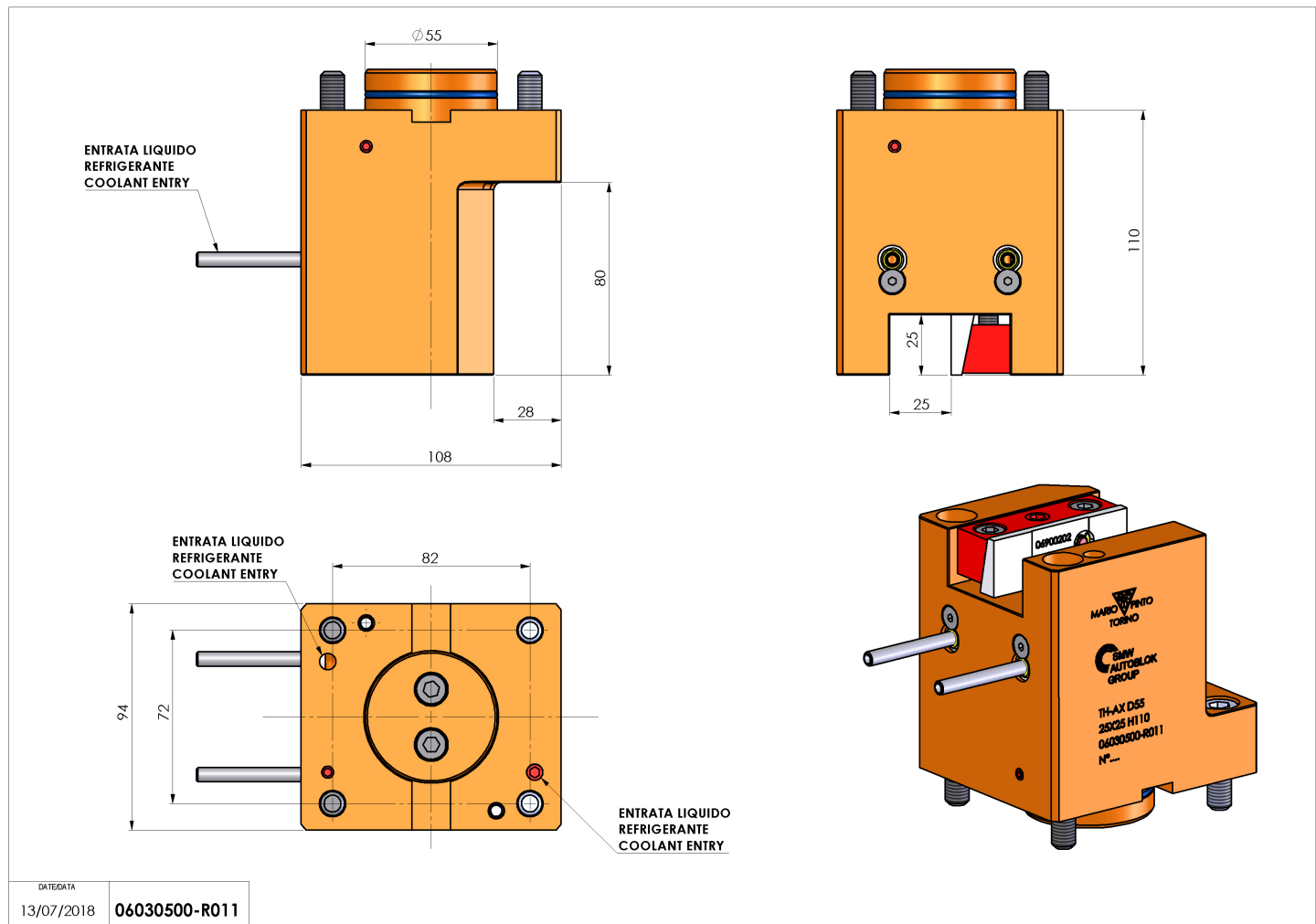
# 06030500 - TH-AX D55 Q25 H110

Type	TH-AX Axial Tool holder
Mounting	CYLINDRICAL SHANK 55
Tool output	Axial Square Tool Holder 25x25
Coolant	External coolant
H [mm]	110



Accessories	N.A.
Notes	N.A.
Mounting tips	N.A.

Always check live tool dimensions on the turret



DATE/DATE	13/07/2018	06030500-R011
-----------	------------	---------------

Subject to technical changes