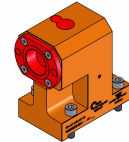


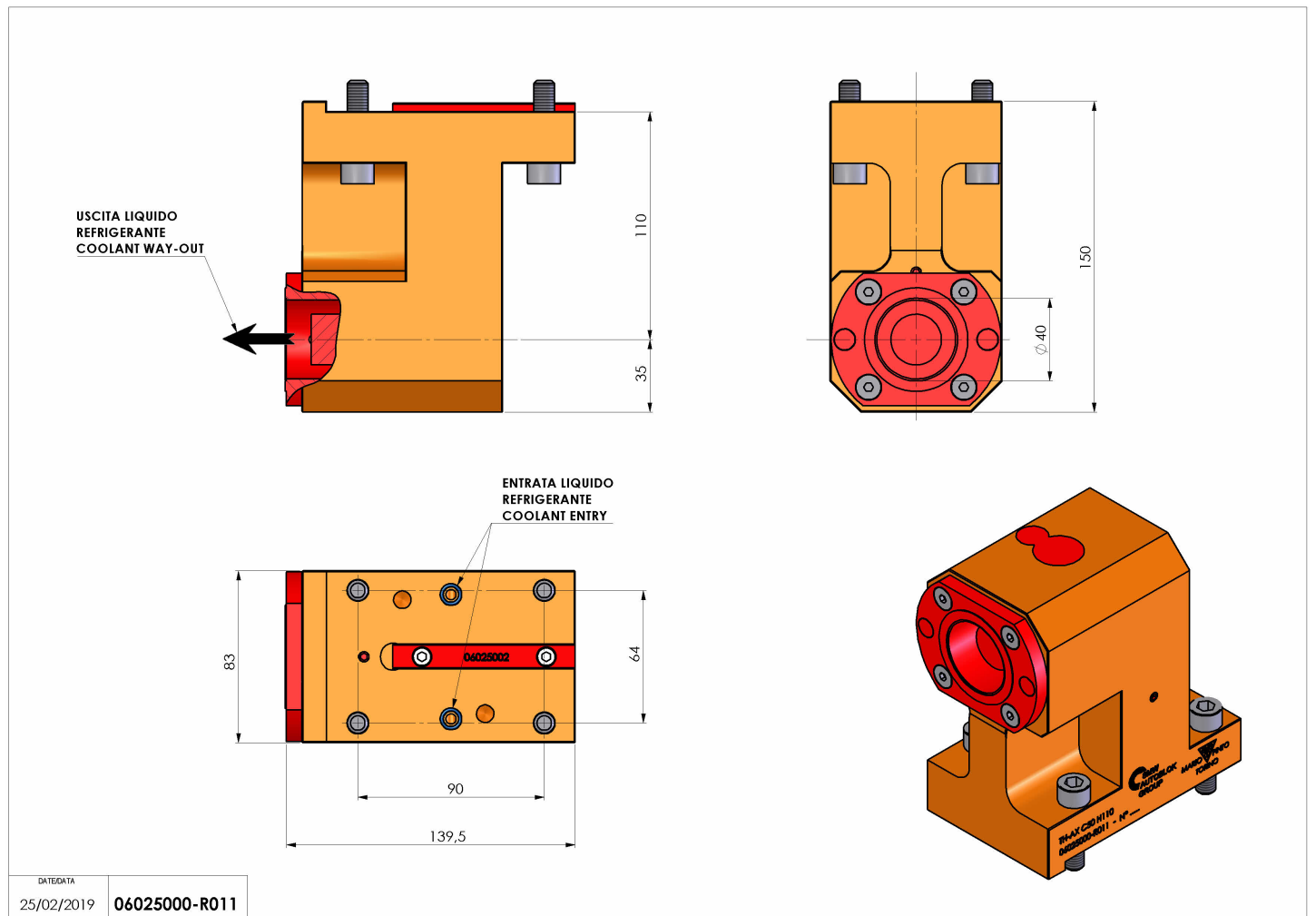
## 06025000 - TH-AX C50 H110

Type	TH-BRB Boring bar holder
Mounting	TAKAMAZ FIXING ATTACK
Tool output	Polygonal shank C50 ISO 26623-1
Coolant	External / Internal coolant
H [mm]	110



Accessories	N.A.
Notes	N.A.
Mounting tips	N.A.

Always check live tool dimensions on the turret



Subject to technical changes