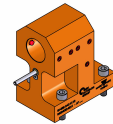


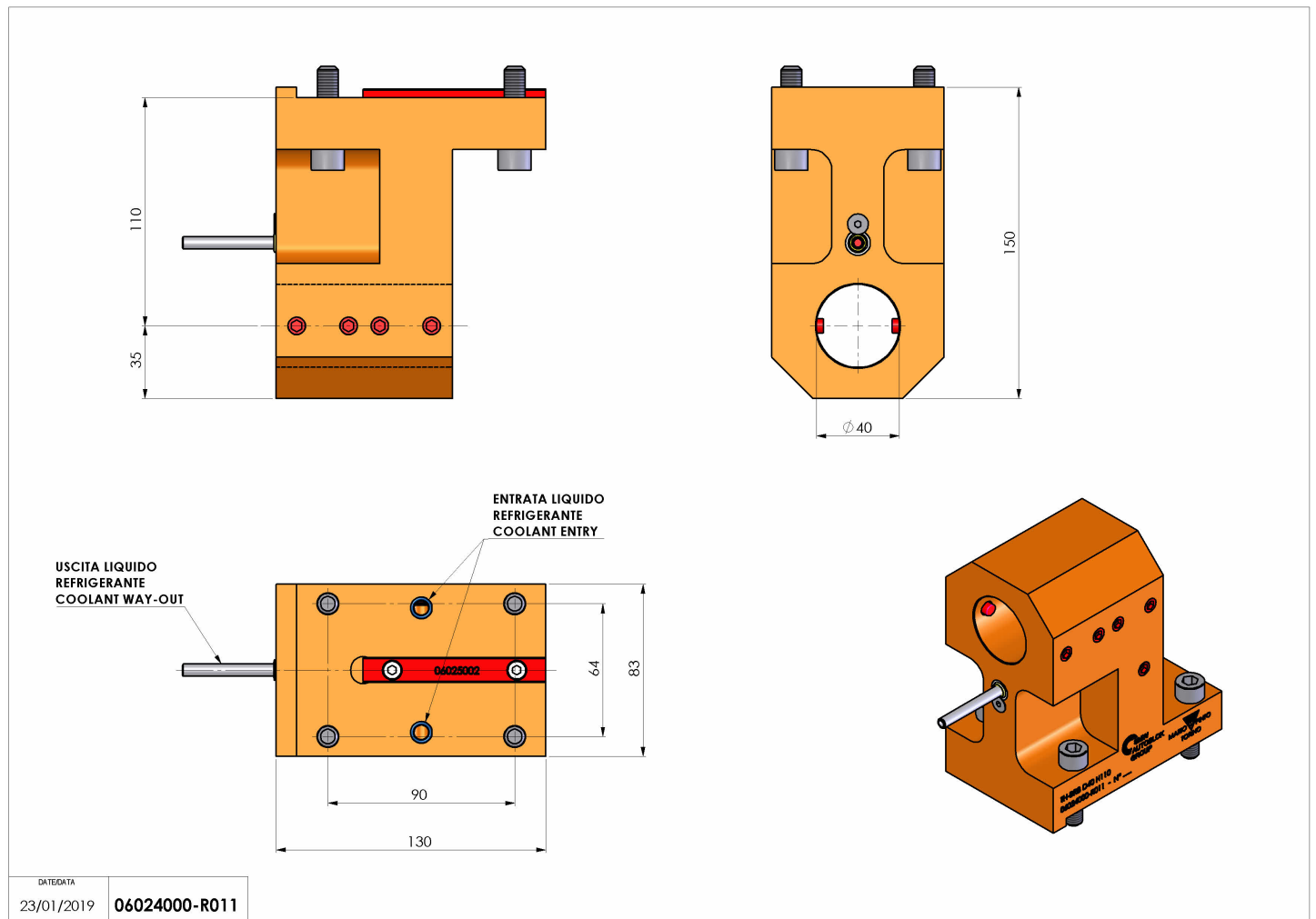
06024000 - TH-BRB D40 H110

Type	TH-BRB Boring bar holder
Mounting	TAKAMAZ FIXING ATTACK
Tool output	Boring Bar Holder 40
Coolant	External / Internal coolant
H [mm]	110



Accessories	N.A.
Notes	N.A.
Mounting tips	N.A.

Always check live tool dimensions on the turret



DATE/DATE	23/01/2019
06024000-R011	

Subject to technical changes