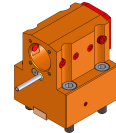


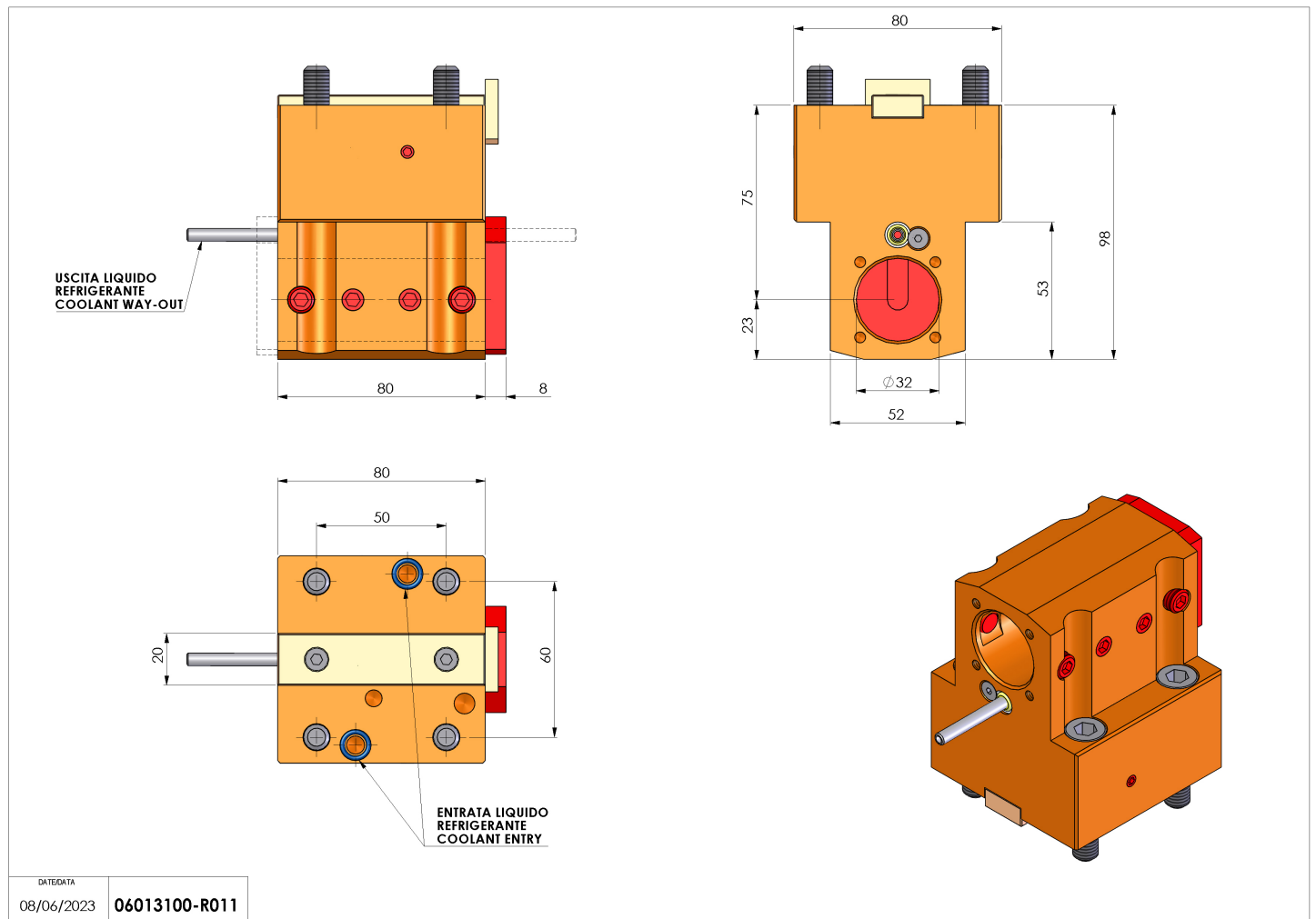
# 06013100 - TH-BRB D55 D32 H75 NK

|             |                             |
|-------------|-----------------------------|
| Type        | TH-BRB<br>Boring bar holder |
| Mounting    | CYLINDRICAL SHANK 55        |
| Tool output | Boring Bar Holder 32        |
| Coolant     | External / Internal coolant |
| H [mm]      | 75                          |



|               |      |
|---------------|------|
| Accessories   | N.A. |
| Notes         | N.A. |
| Mounting tips | N.A. |

Always check live tool dimensions on the turret



Subject to technical changes