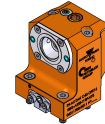


06011700 - TH-AX D44 C40 OFS16 REG-ASSE-Y RF H75

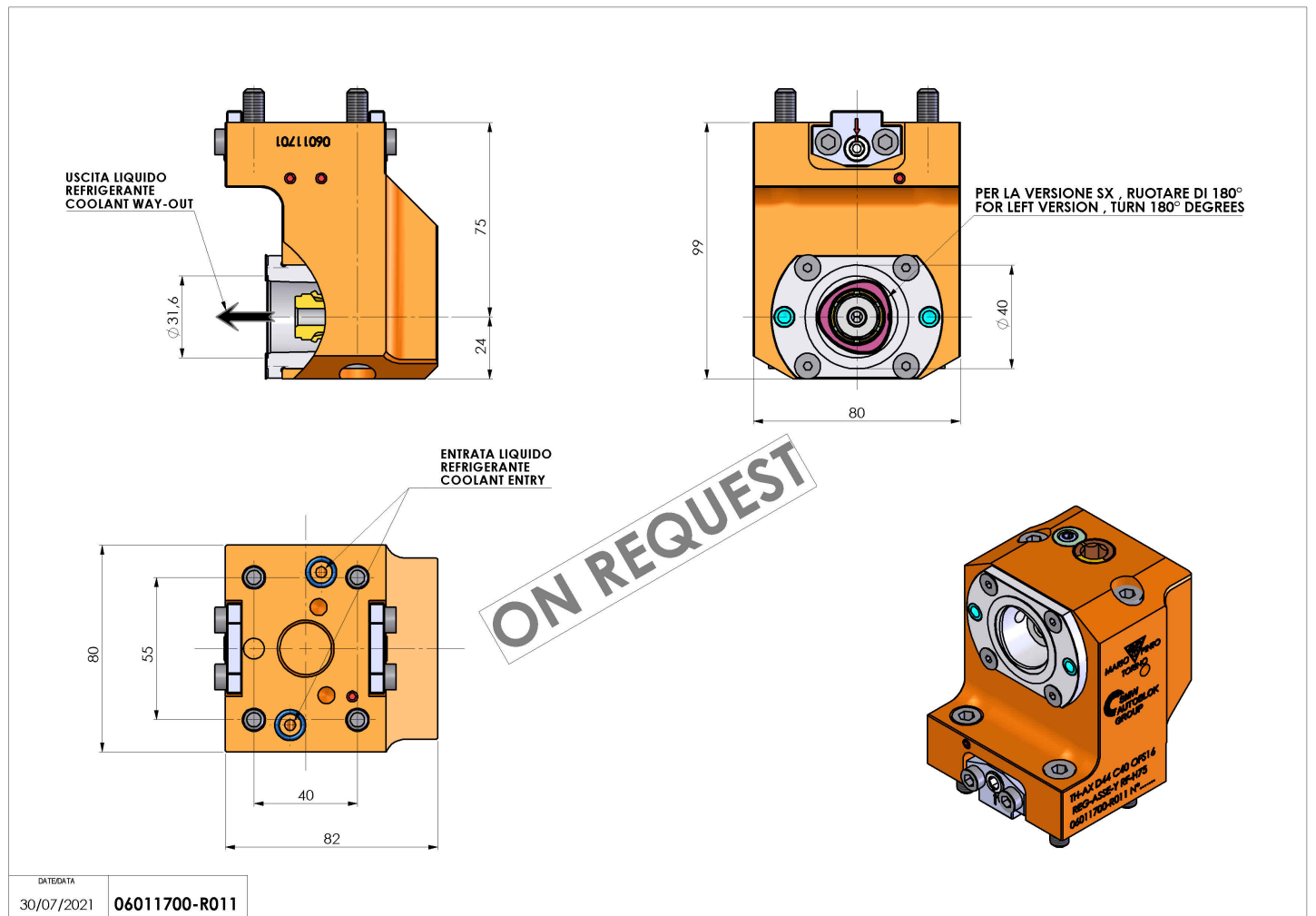
Type	TH-AX Axial Tool holder
Mounting	CYLINDRICAL SHANK 44
Tool output	Polygonal shank C40 ISO 26623-1
Coolant	Internal coolant
H [mm]	75



ON REQUEST

Accessories	N.A.
Notes	N.A.
Mounting tips	N.A.

Always check live tool dimensions on the turret



Subject to technical changes