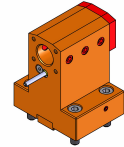


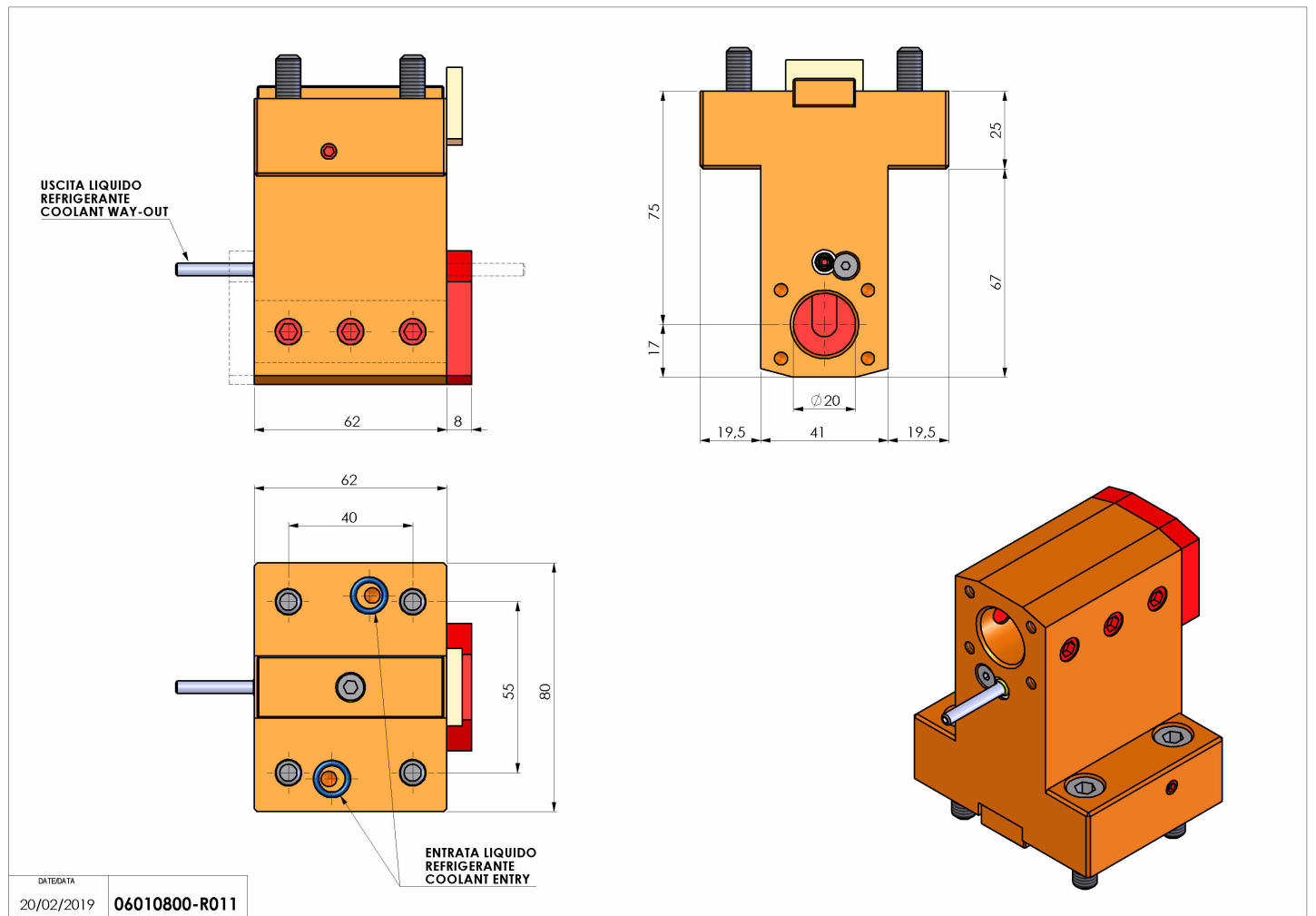
## 06010800 - TH-BRB D44 D20 H75 NK

Type	TH-BRB Boring bar holder
Mounting	CYLINDRICAL SHANK 44
Tool output	Boring Bar Holder 20
Coolant	External / Internal coolant
H [mm]	75



Accessories	N.A.
Notes	N.A.
Mounting tips	N.A.

Always check live tool dimensions on the turret



DATE/DATE  
20/02/2019 06010800-R011

Subject to technical changes