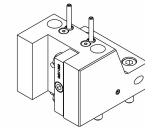


06010500 - TH-RAD D44 Q20 H59 NK

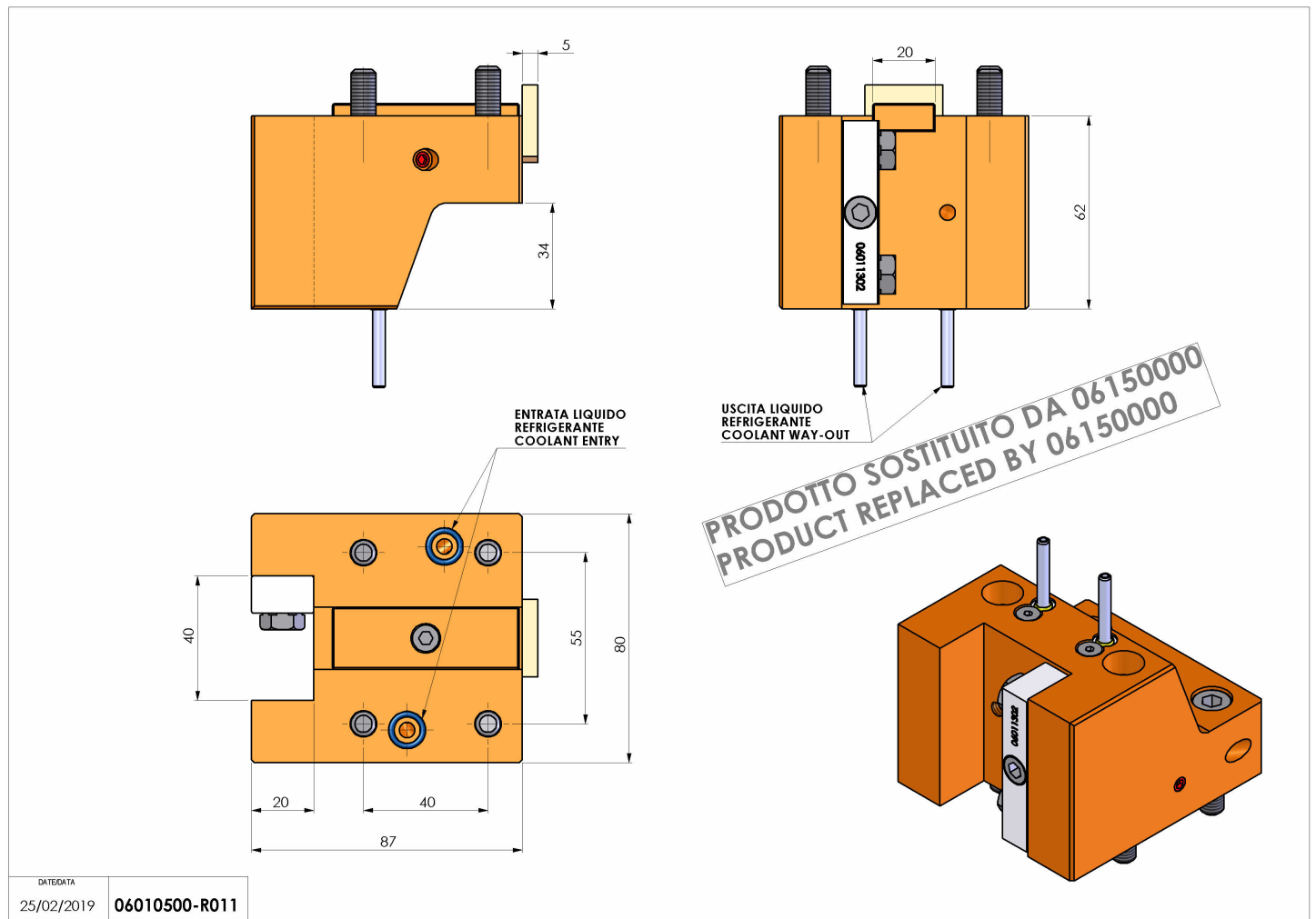
Type	TH-RAD Radial Tool holder
Mounting	CYLINDRICAL SHANK 44
Tool output	Radial Square Tool Holder 20x20
Coolant	External coolant
H [mm]	62



REPLACED BY 06150000

Accessories	N.A.
Notes	Soon out of stock. Replaced by cod. 06150000
Mounting tips	N.A.

Always check live tool dimensions on the turret



Subject to technical changes