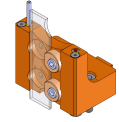


# 06010000 - TH-CUT D44 SH26X3 TP H70 NK

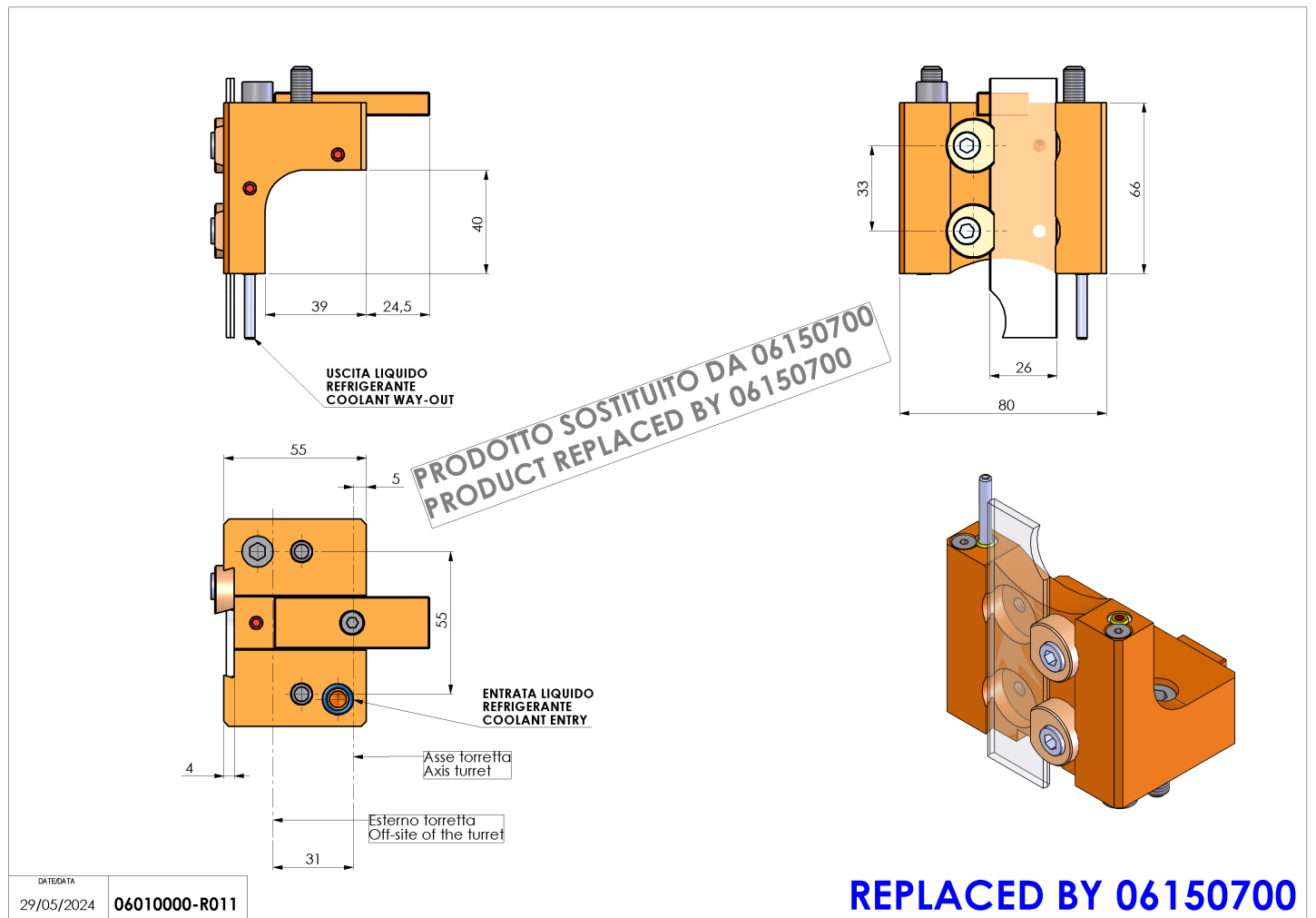
Type	TH-CUT Cutting holder
Mounting	CYLINDRICAL SHANK 44
Tool output	Cut Off Holder 26
Coolant	External coolant
H [mm]	66



REPLACED BY 06150700

Accessories	N.A.
Notes	N.A.
Mounting tips	N.A.

Always check live tool dimensions on the turret



Subject to technical changes