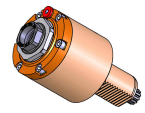


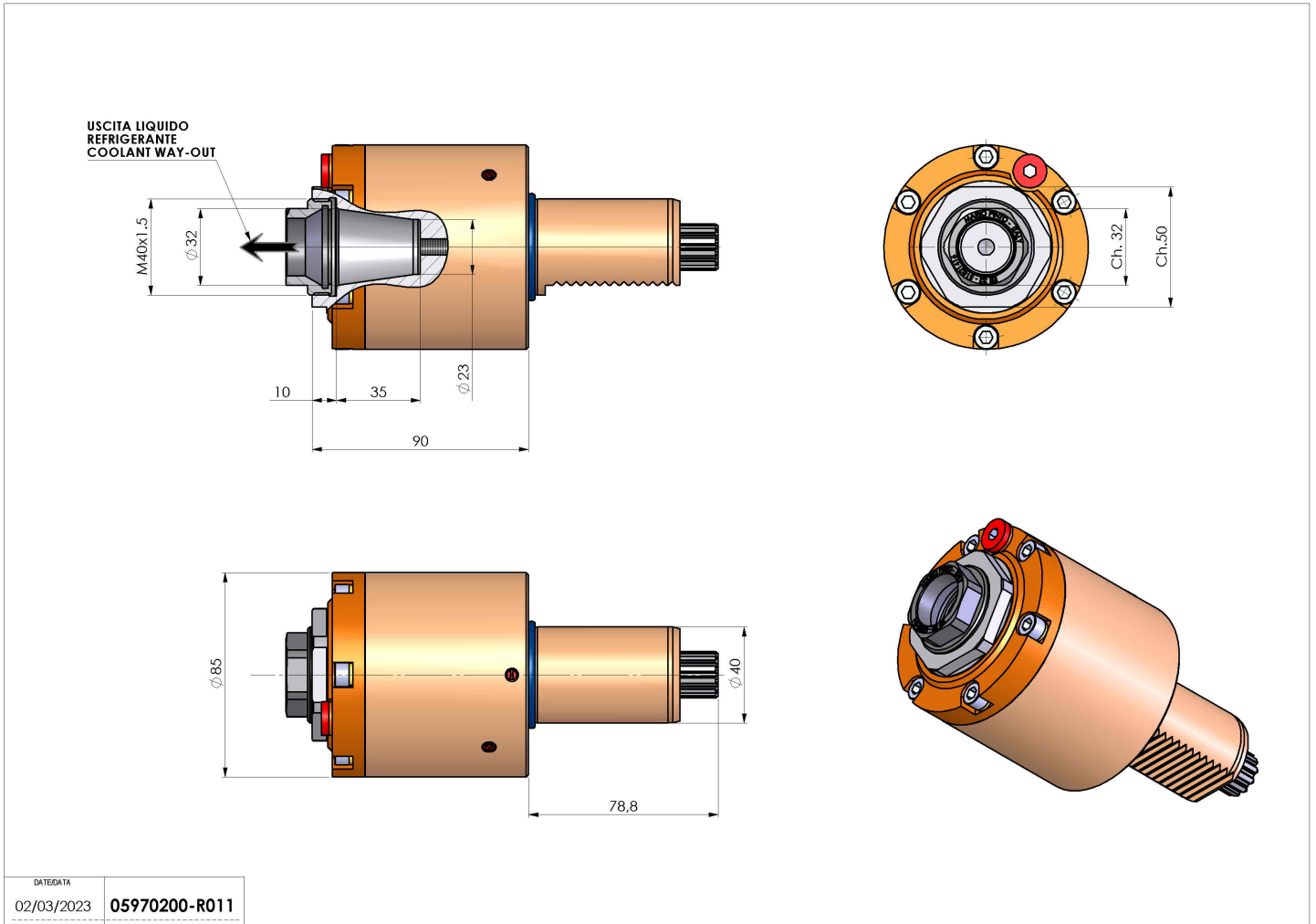
05970200 - LT-S VDI40 ER32F RF H90 5482-B0x17-Z12 SPC

Type	LT SPECIALE Custom tool holder
Mounting	VDI 40
Tool output	Collet nut ER 32 F - internal nut
Coolant	Internal coolant
Direction of rotation	r1 ↻ r2 ↻
Max speed [rpm]	6000
Max torque [Nm]	63
Ratio	1:1
H [mm]	90
Accessories	N.A.
Notes	N.A.
Mounting tips	N.A.



ATTENTION: CHECK THE ORIENTATION OF THE VDI TEETH

Always check live tool dimensions on the turret



DATE/DATE	02/03/2023	05970200-R011
-----------	------------	---------------

Subject to technical changes