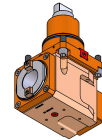
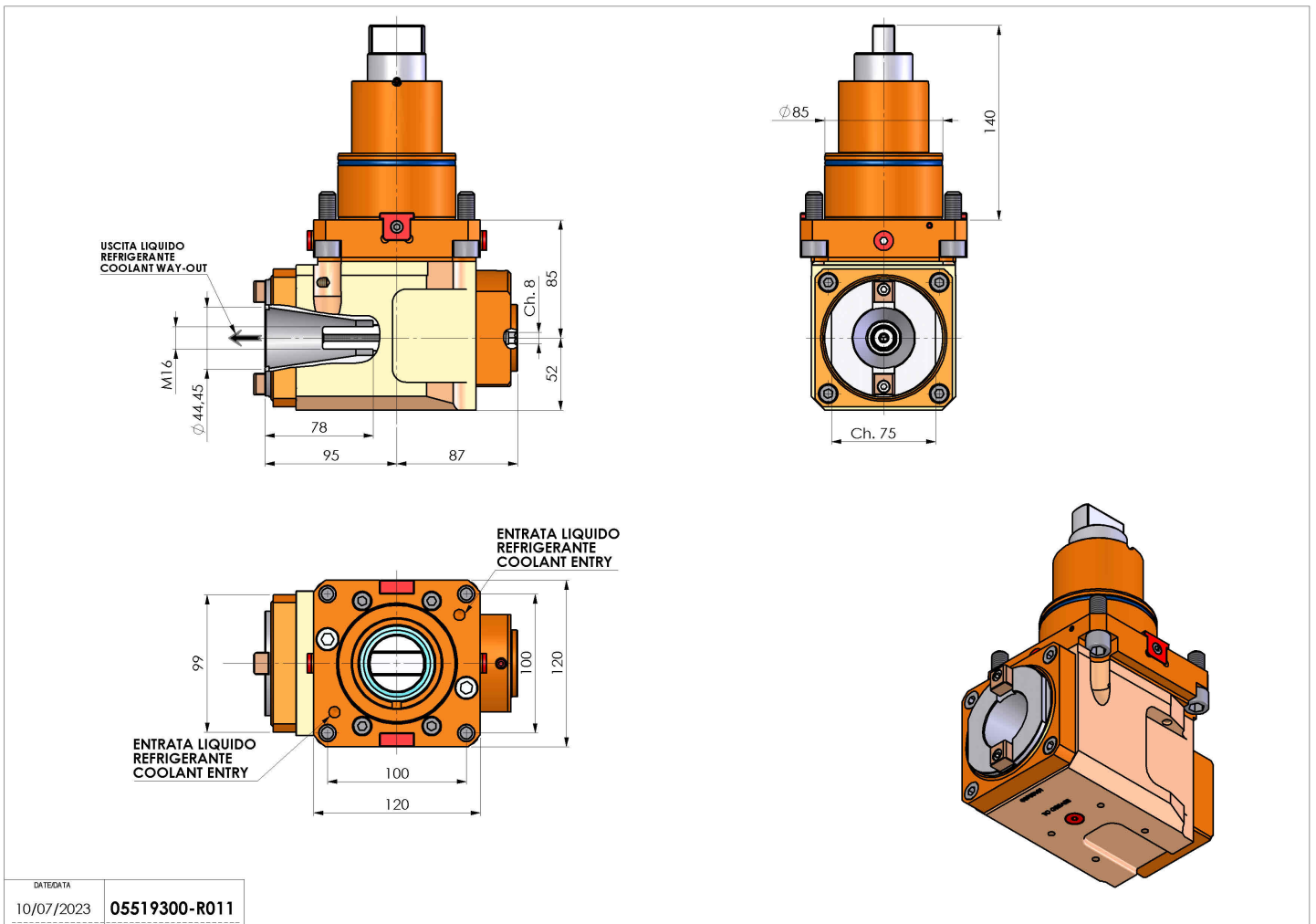


# 05519300 - LT-A BMT85 BD ISO-BT40 RF H85 2:1

<b>Type</b>	LT-A Tool holder angle 90°
<b>Mounting</b>	BMT 85 BIG DRIVE
<b>Tool output</b>	Quick Change ISO-BT40
<b>Coolant</b>	Internal coolant
<b>Direction of rotation</b>	r1 ↻ r2 ↻
<b>Max speed [rpm]</b>	in 4000 / out 2000
<b>Max torque [Nm]</b>	in 60 / out 120
<b>Ratio</b>	2:1
<b>H [mm]</b>	85
<b>H1 [mm]</b>	52
<b>Accessories</b>	N.A.
<b>Notes</b>	N.A.
<b>Mounting tips</b>	N.A.



Always check live tool dimensions on the turret



DATE/DATE  
10/07/2023 05519300-R011

Subject to technical changes