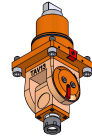
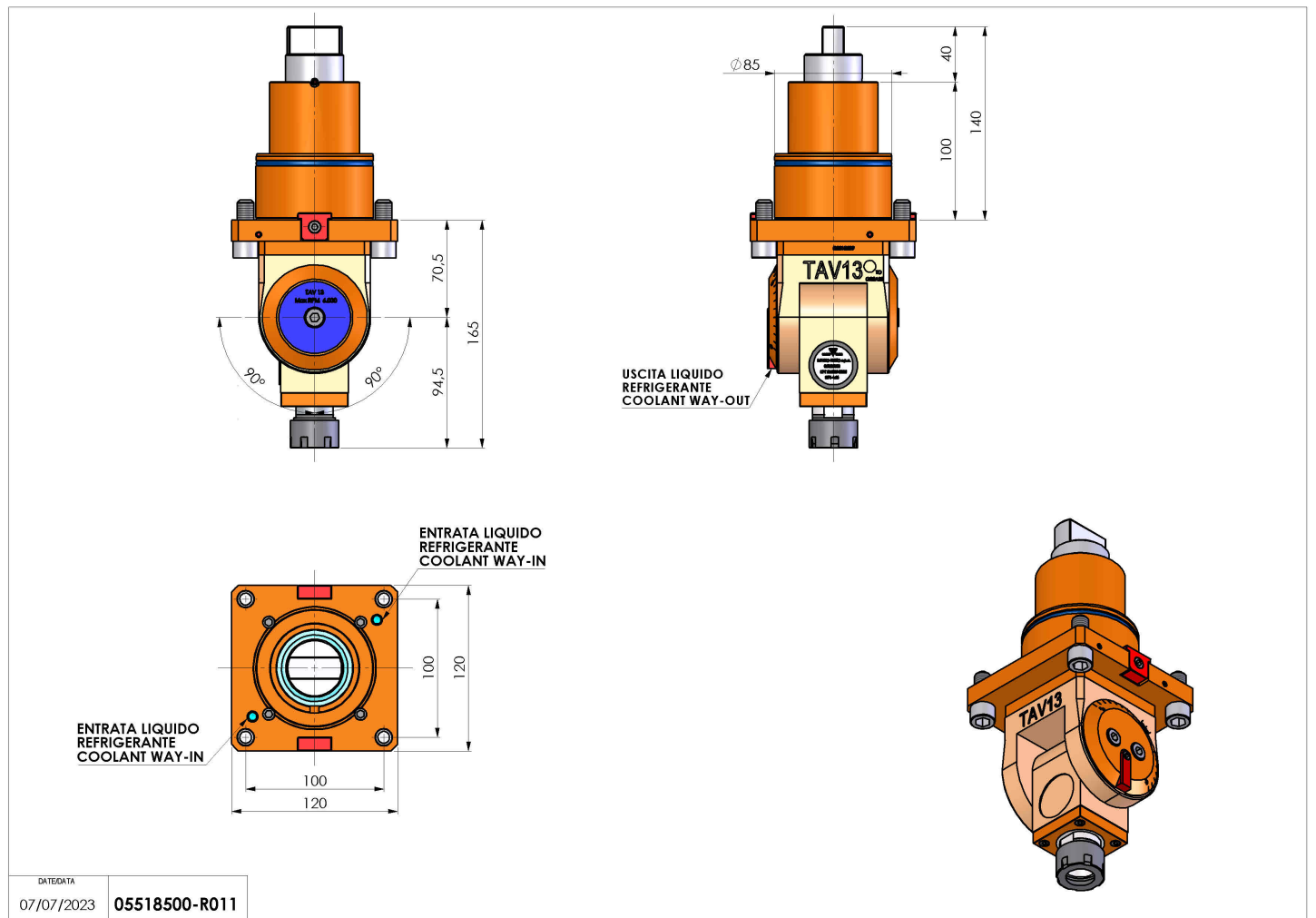


05518500 - LT-T BMT85 BD ER25M H71-165

Type	LT-T Tool holder tiltable
Mounting	BMT 85 BIG DRIVE
Tool output	Collet nut ER 25 Mini
Coolant	External coolant
Direction of rotation	r1 ↻ r2 ↻
Max speed [rpm]	3000
Max torque [Nm]	20
Ratio	1:1
H [mm]	71-165
Accessories	N.A.
Notes	N.A.
Mounting tips	N.A.



Always check live tool dimensions on the turret



Subject to technical changes

DATE/DATE
07/07/2023 05518500-R011