

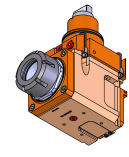
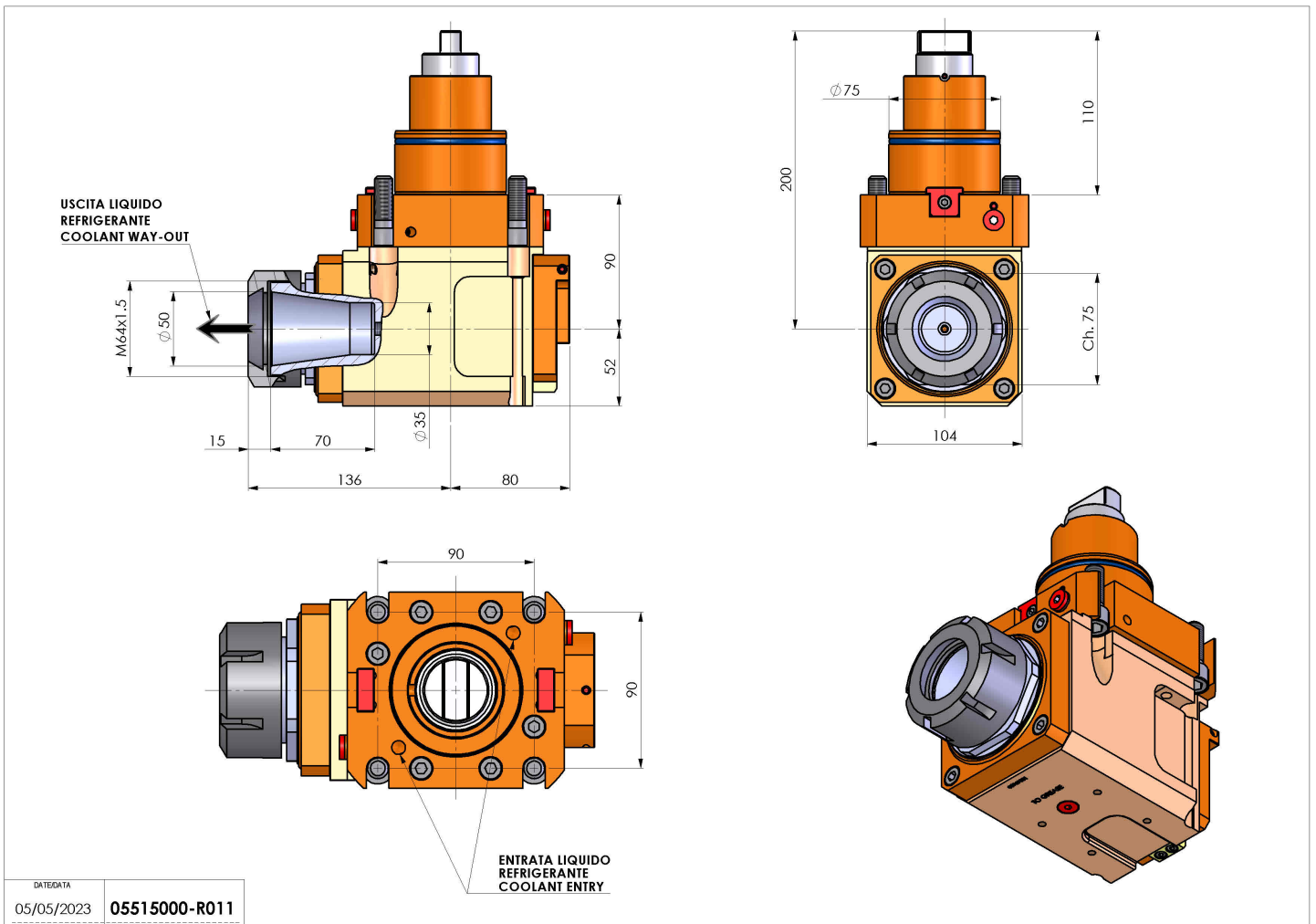


05515000 - LT-A BMT75 BD ER50 LR HRF 2:1 H90

Type	LT-A Tool holder angle 90°
Mounting	BMT 75 BIG DRIVE
Tool output	Collet nut ER 50
Coolant	HRF Internal coolant
Direction of rotation	r1  r2 
Max speed [rpm]	in 4000 / out 2000
Max torque [Nm]	in 60 / out 120
Ratio	2:1
H [mm]	90
H1 [mm]	52
Max pressure [bar]	80
Accessories	N.A.
Notes	N.A.
Mounting tips	Main and secondary spindle



Always check live tool dimensions on the turret



DATE/DATE: 05/05/2023
05515000-R011

Subject to technical changes