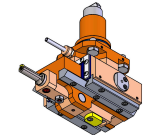
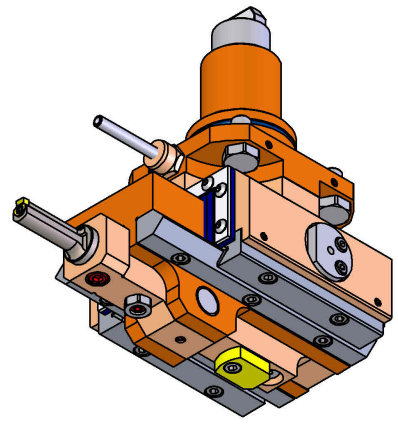
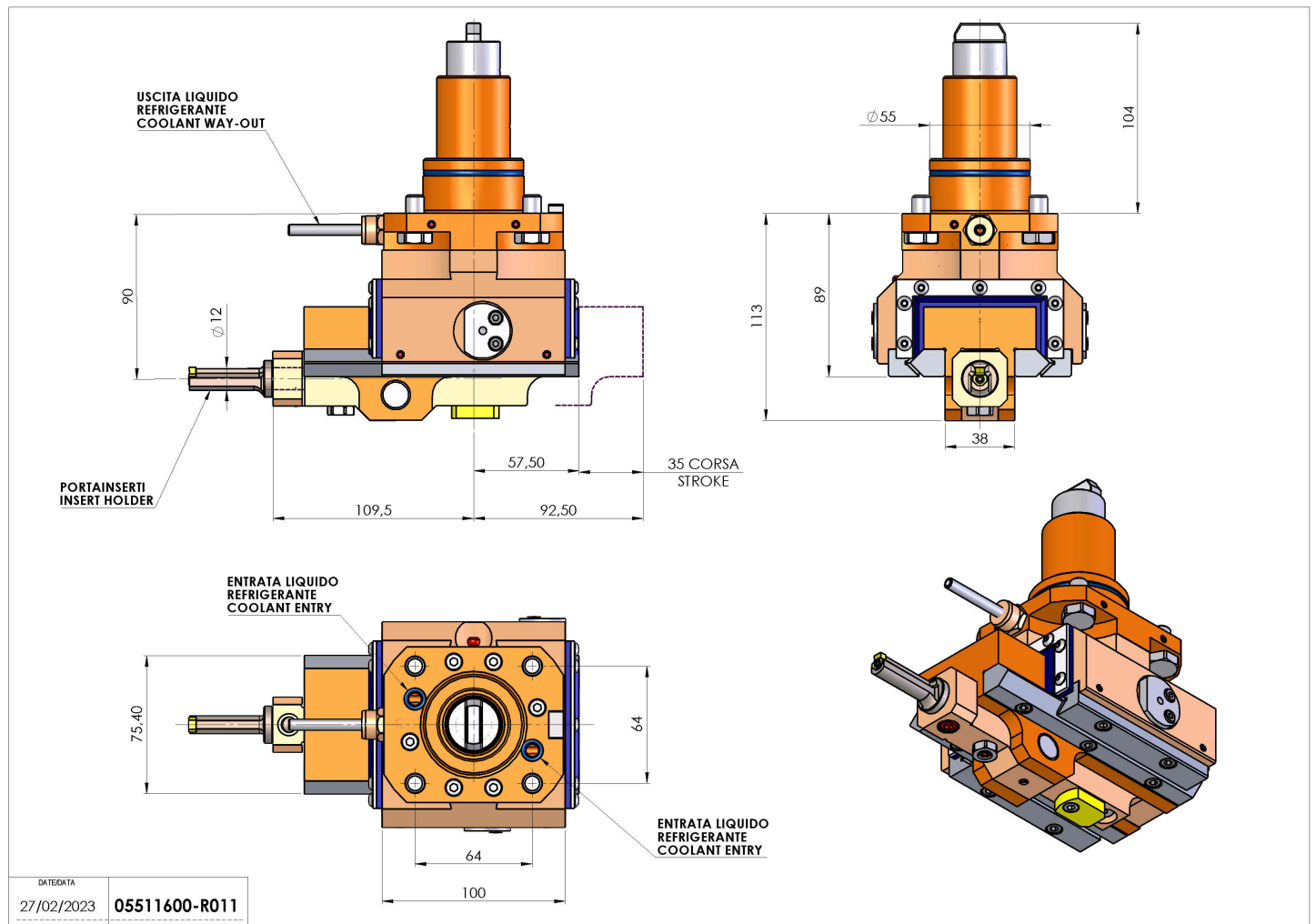


05511600 - LT-A ST35 BMT55 BD C12 H90

Type	LT-A ST Slotting tool 90°
Mounting	BMT 55 BIG DRIVE
Tool output	Tool diameter 12
Coolant	External coolant
Max speed [rpm]	700
Max torque [Nm]	17.5
Ratio	1:1
Y axis adjustment	NO
Feed pushing [N]	1000
Stroke [mm]	35
Work stroke [mm]	30
H [mm]	90
Accessories	N.A.
Notes	N.A.
Mounting tips	N.A.



Always check live tool dimensions on the turret



DATE DATA
27/02/2023 **05511600-R011**

Subject to technical changes