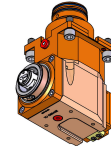
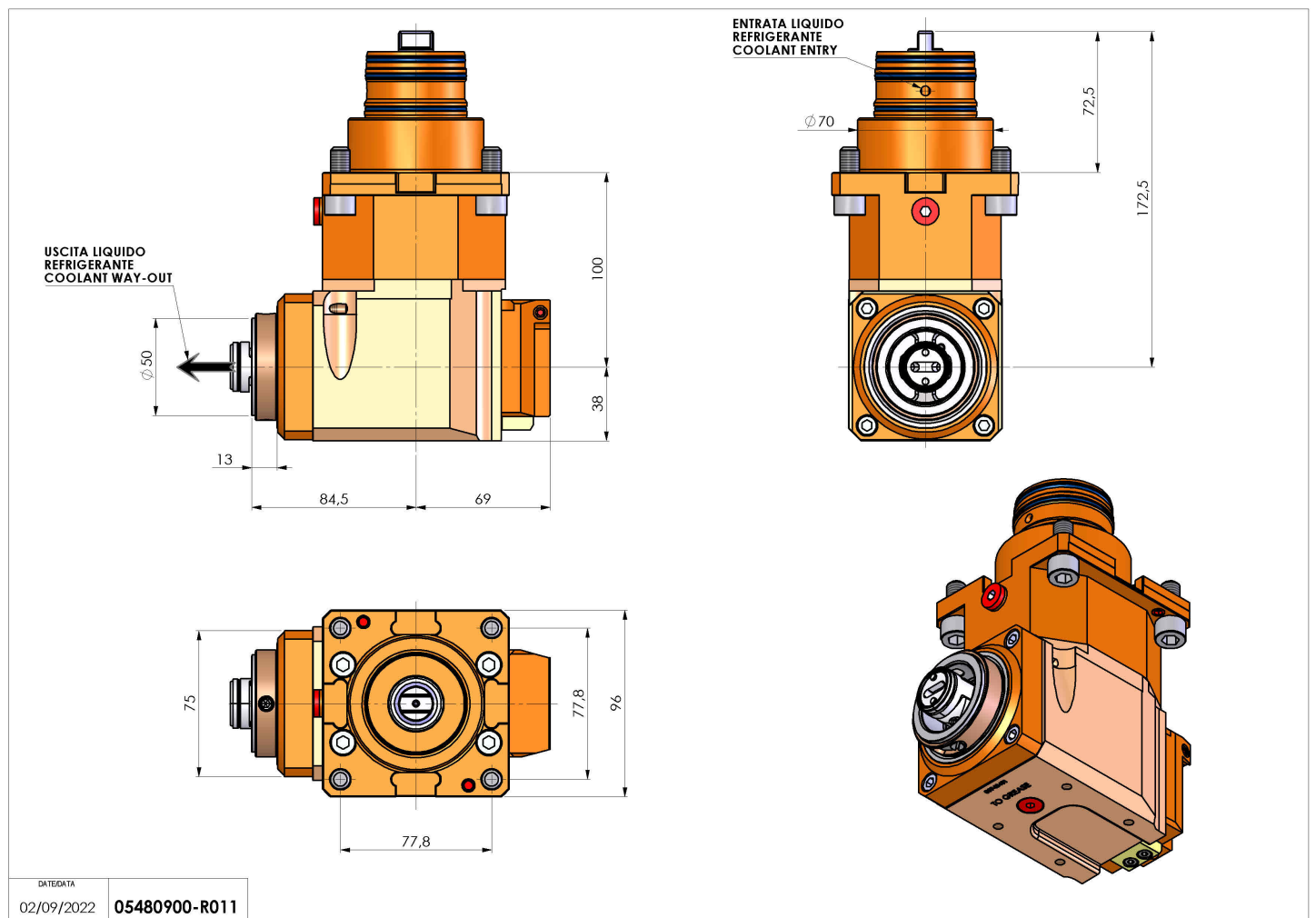


05480900 - LT-A D70 HSK50 HRF H100

Type	LT-A Tool holder angle 90°
Mounting	CYLINDRICAL SHANK 70
Tool output	Quick Change HSK50
Coolant	HRF Internal coolant
Direction of rotation	r1 ↻ r2 ↻
Max speed [rpm]	8000
Max torque [Nm]	80
Ratio	1:1
H [mm]	100
H1 [mm]	38
Max pressure [bar]	80
Accessories	N.A.
Notes	N.A.
Mounting tips	N.A.



Always check live tool dimensions on the turret



Subject to technical changes