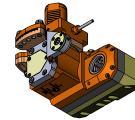


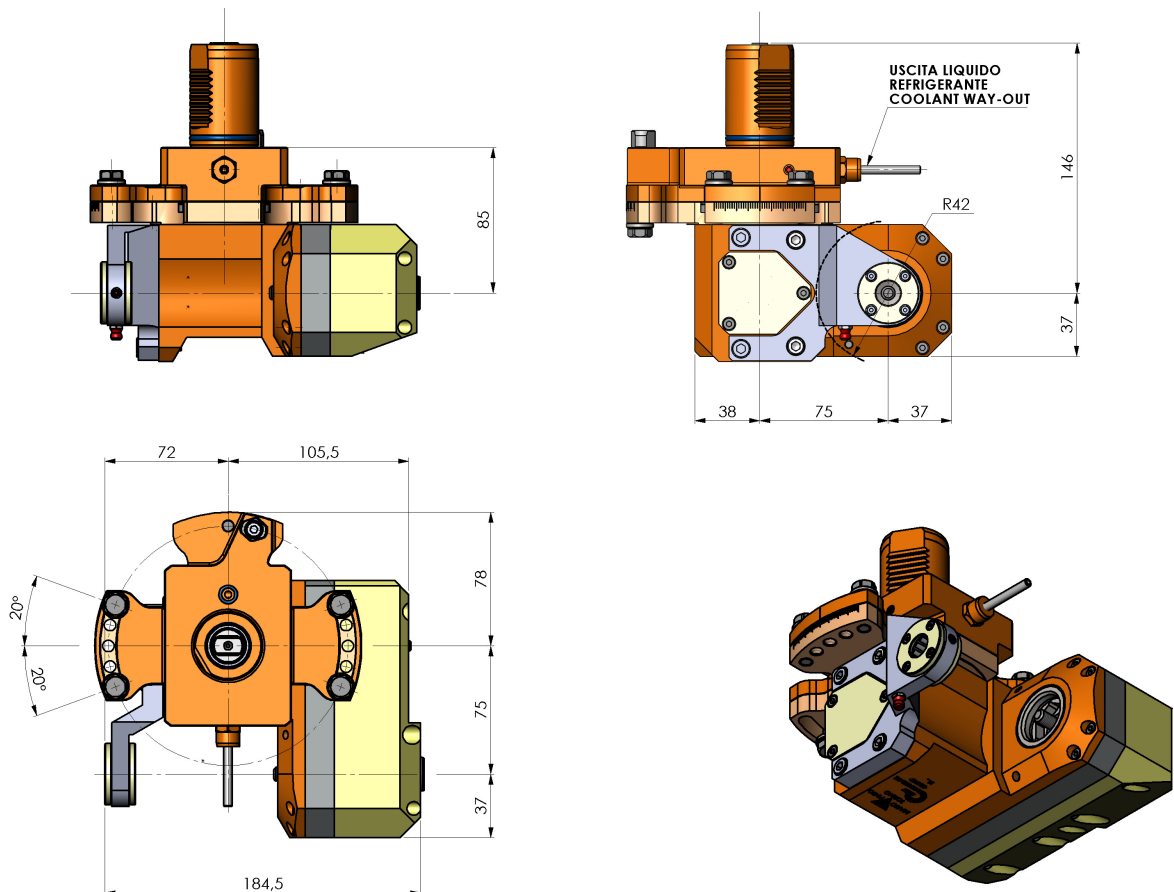
05456900 - LT-HOB-SAW VDI40 1:1 L60 H85

Type	LT-HOB-SAW Hobbing/tool holder saw
Mounting	VDI 40
Tool output	Shank kit Ø16-Ø22-Ø27
Coolant	External coolant
Max speed [rpm]	6000
Max torque [Nm]	63
Ratio	1:1
H [mm]	85
H1 [mm]	37
Accessories	N.A.
Notes	N.A.
Mounting tips	N.A.



ATTENTION: CHECK THE ORIENTATION OF THE VDI TEETH

Always check live tool dimensions on the turret



DATE/DATE	
12/12/2023	05456900-R011

Subject to technical changes