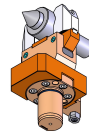


05456800 - ATR MANIPOLATORE VDI-40 D50 H130

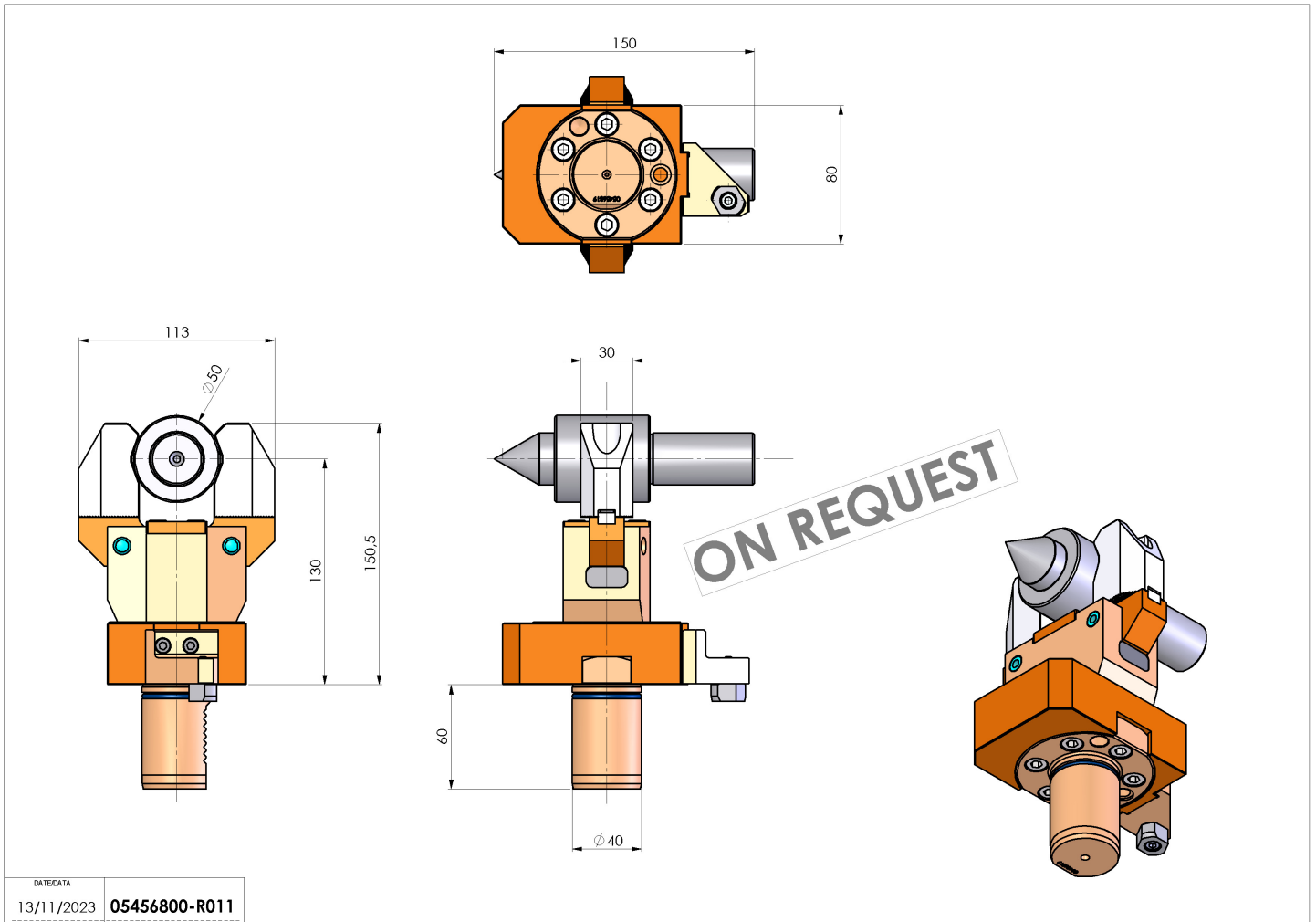
Type	ATR MAN Handling hand
Mounting	VDI 40
Tool output	Boring Bar Holder 50
Coolant	N.A.
H [mm]	130



Accessories	N.A.
Notes	N.A.
Mounting tips	N.A.

ATTENTION: CHECK THE ORIENTATION OF THE VDI TEETH

Always check live tool dimensions on the turret



Subject to technical changes