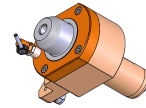


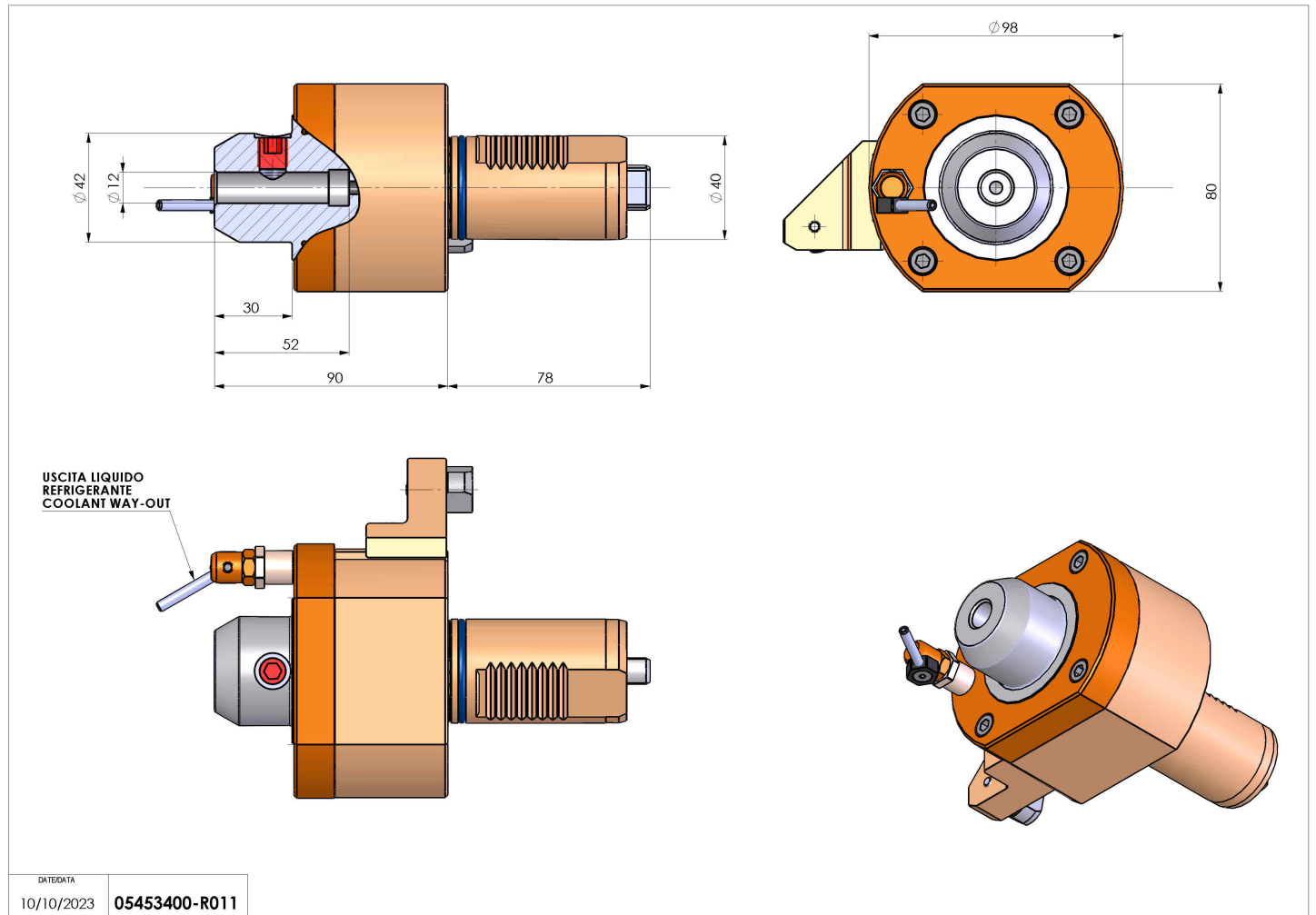
## 05453400 - LT-S VDI40 WELDON12 H90

Type	LT-S Tool holder straight
Mounting	VDI 40
Tool output	Weldon 12 DIN1835B
Coolant	External coolant
Direction of rotation	r1 ↻ r2 ↻
Max speed [rpm]	6000
Max torque [Nm]	63
Ratio	1:1
H [mm]	90
Accessories	N.A.
Notes	N.A.
Mounting tips	N.A.



**ATTENTION: CHECK THE ORIENTATION OF THE VDI TEETH**

Always check live tool dimensions on the turret



DATE/DATE  
10/10/2023 05453400-R011

Subject to technical changes