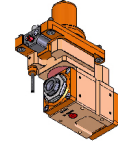
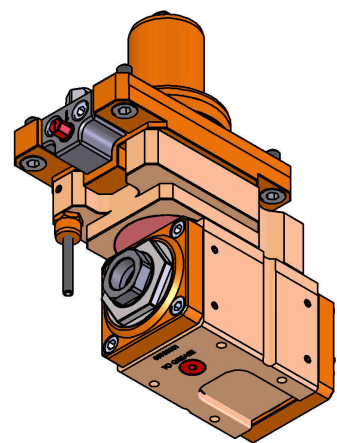
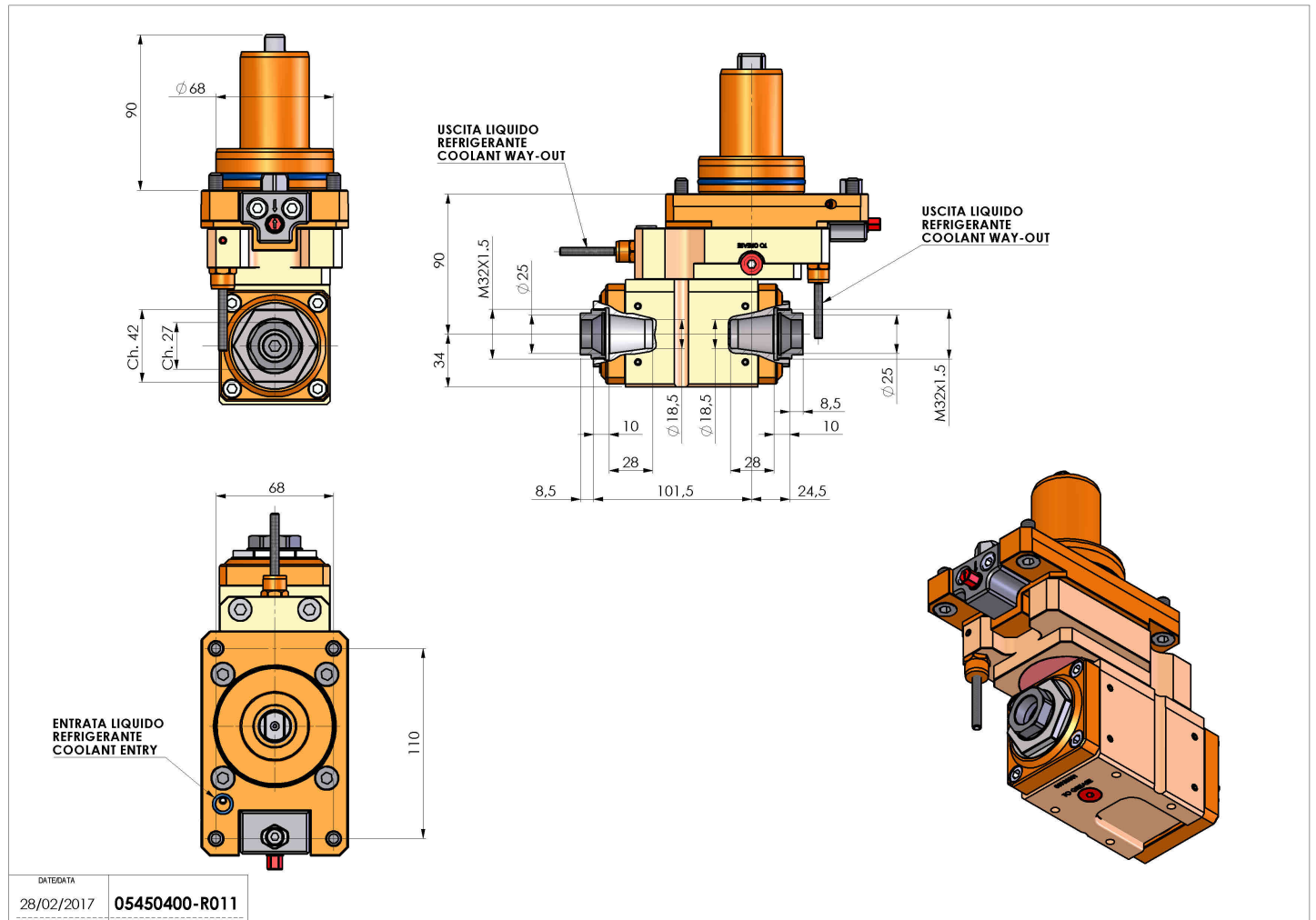


05450400 - LT-A D68 ER25F-25F OFS HS H90

Type	LT-A OFS DBL Tool holder double offset angle 90°
Mounting	CYLINDRICAL SHANK 68
Tool output	Collet nut ER 25 F - internal nut
Coolant	External coolant
Direction of rotation	r1 r2 r3
Max speed [rpm]	10000
Max torque [Nm]	40
Ratio	1:1
H [mm]	90
H1 [mm]	34
Accessories	N.A.
Notes	N.A.
Mounting tips	N.A.



Always check live tool dimensions on the turret



Subject to technical changes

DATE/DATE	28/02/2017
PART NUMBER	05450400-R011