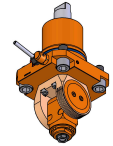
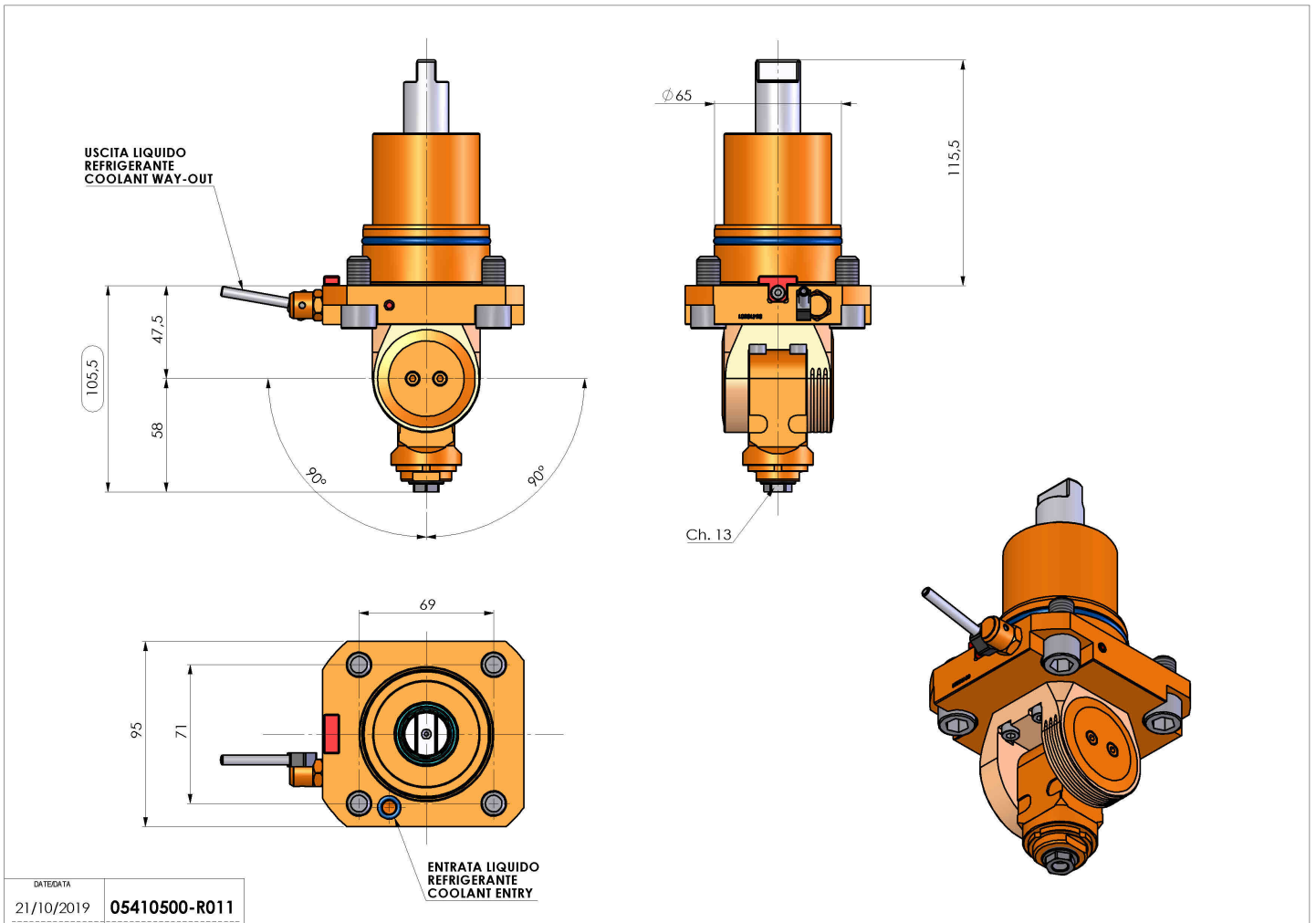


05410500 - LT-T D65 ER11F H48-100

| | |
|------------------------------|------------------------------|
| Type | LT-T Tool holder tiltable |
| Mounting | CYLINDRICAL SHANK 65 |
| Tool output | Collet nut ER 11 F |
| Coolant | External coolant |
| Direction of rotation | r1 ↻ r2 ↻ |
| Max speed [rpm] | 6000 |
| Max torque [Nm] | 5 |
| Ratio | 1:1 |
| H [mm] | 48-100 |
| Accessories | N.A. |
| Notes | N.A. |
| Mounting tips | N.A. |



Always check live tool dimensions on the turret



DATE/DATE
21/10/2019 **05410500-R011**

Subject to technical changes