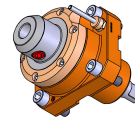
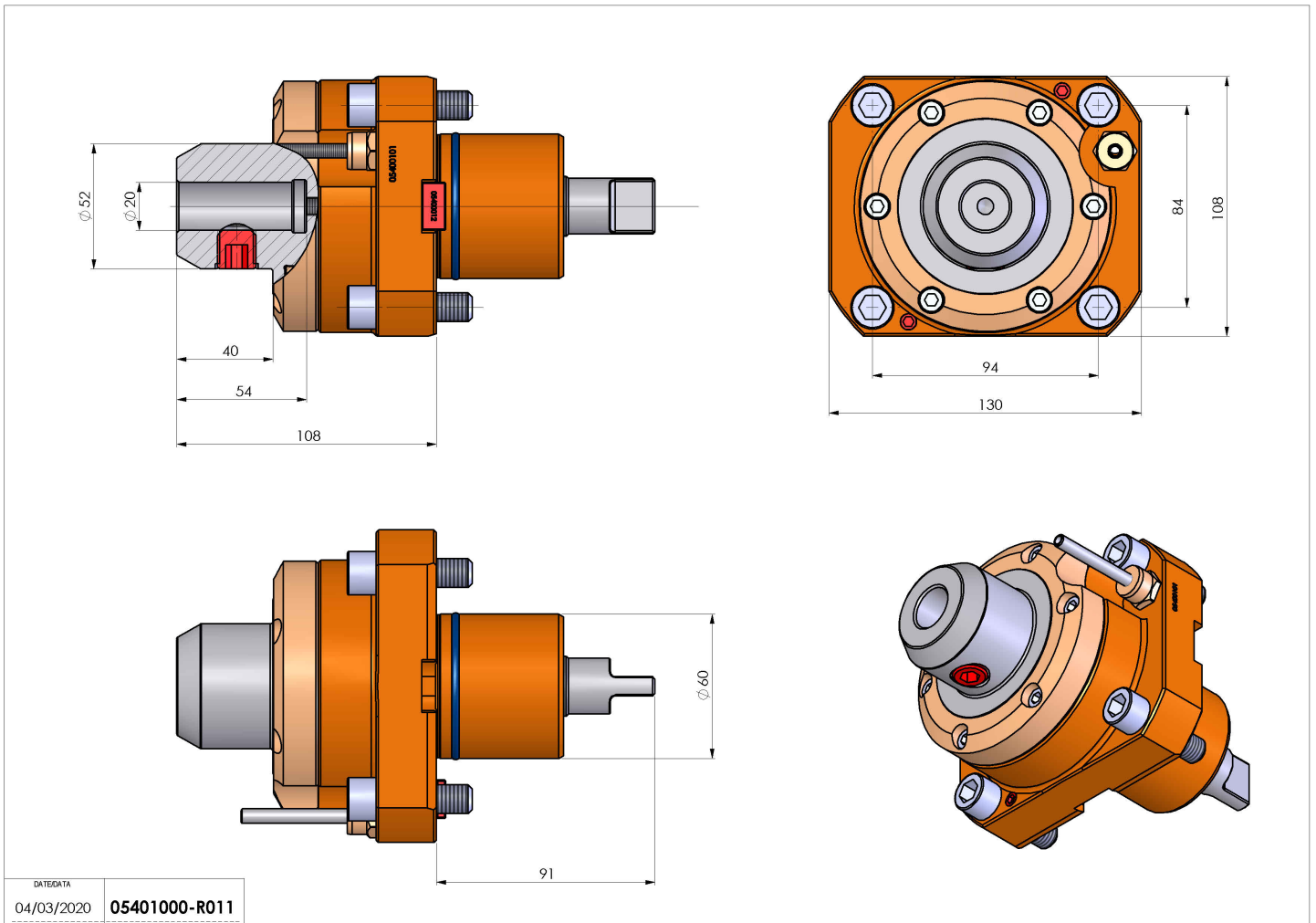


# 05401000 - LT-S D60 WELDON20 H108

|                              |                              |
|------------------------------|------------------------------|
| <b>Type</b>                  | LT-S<br>Tool holder straight |
| <b>Mounting</b>              | CYLINDRICAL SHANK 60         |
| <b>Tool output</b>           | Weldon 20 DIN1835B           |
| <b>Coolant</b>               | External coolant             |
| <b>Direction of rotation</b> | r1 ↻ r2 ↻                    |
| <b>Max speed [rpm]</b>       | 6000                         |
| <b>Max torque [Nm]</b>       | 63                           |
| <b>Ratio</b>                 | 1:1                          |
| <b>H [mm]</b>                | 108                          |
| <b>Accessories</b>           | N.A.                         |
| <b>Notes</b>                 | N.A.                         |
| <b>Mounting tips</b>         | N.A.                         |



Always check live tool dimensions on the turret



DATE/DATE 04/03/2020 05401000-R011

Subject to technical changes