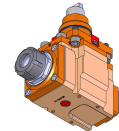
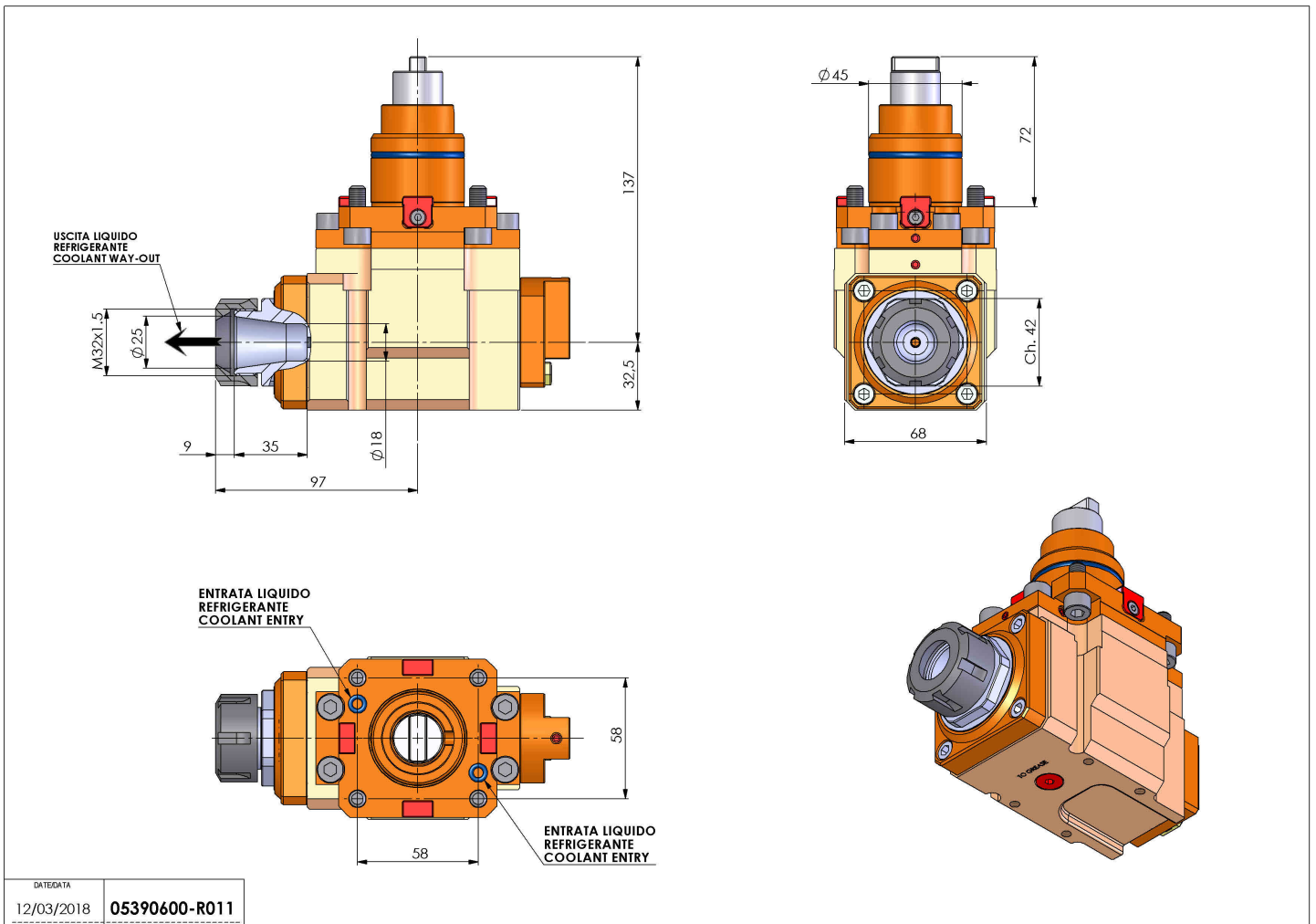


## 05390600 - LT-A D45 BD ER25 HRF 1:2 H65

<b>Type</b>	LT-A Tool holder angle 90°
<b>Mounting</b>	CYLINDRICAL SHANK 45
<b>Tool output</b>	Collet nut ER 25
<b>Coolant</b>	HRF Internal coolant
<b>Direction of rotation</b>	r1  r2
<b>Max speed [rpm]</b>	in 5000 / out 10000
<b>Max torque [Nm]</b>	in 10 / out 5
<b>Ratio</b>	1:2
<b>H [mm]</b>	65
<b>H1 [mm]</b>	32.5
<b>Max pressure [bar]</b>	80
<b>Accessories</b>	N.A.
<b>Notes</b>	N.A.
<b>Mounting tips</b>	N.A.



Always check live tool dimensions on the turret



DATE/DATE	
12/03/2018	<b>05390600-R011</b>

Subject to technical changes