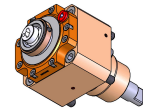
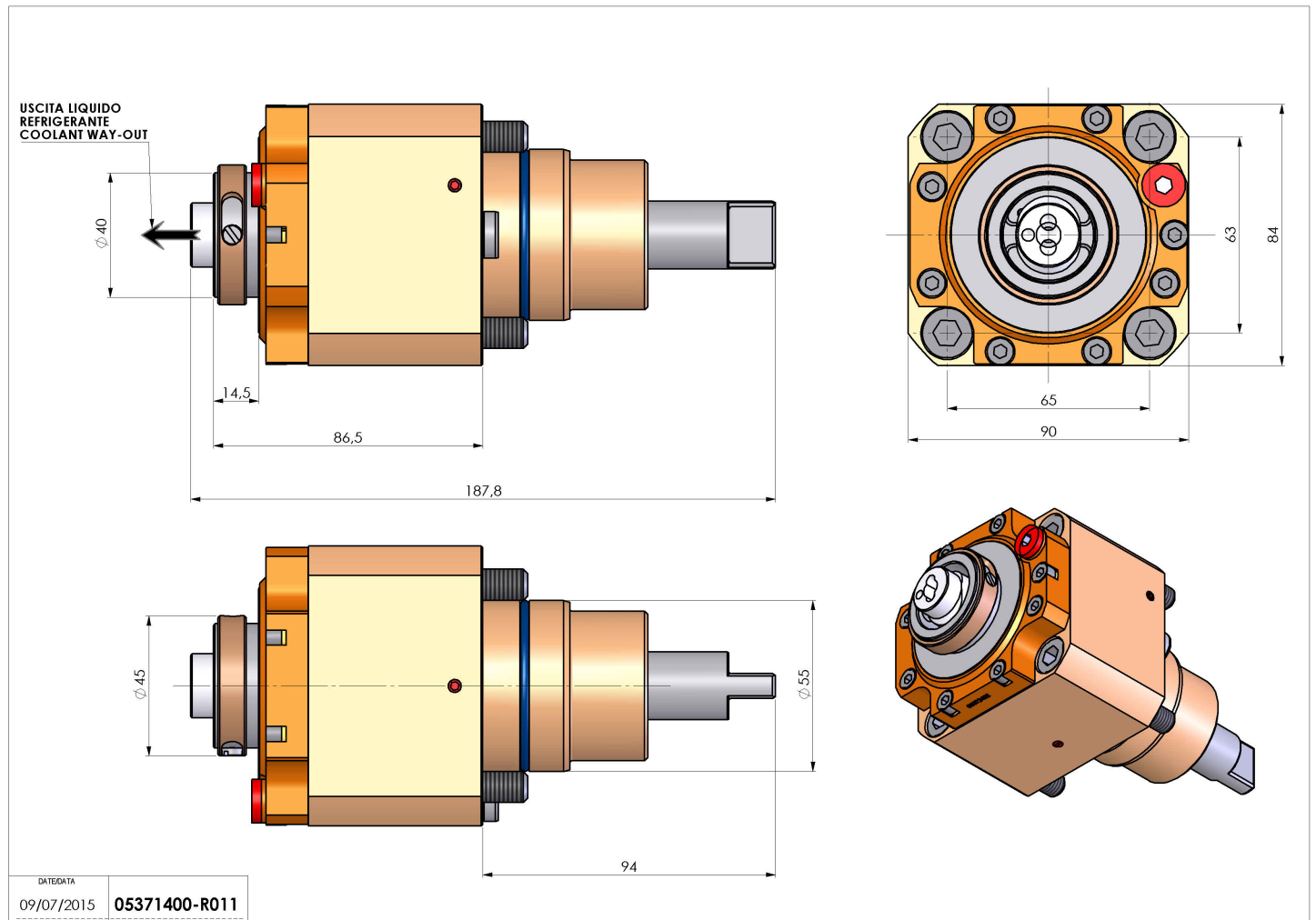


05371400 - LT-S D55 HSK40 HRF H86.5

Type	LT-S Tool holder straight
Mounting	CYLINDRICAL SHANK 55
Tool output	Quick Change HSK40
Coolant	HRF Internal coolant
Direction of rotation	r1 r2
Max speed [rpm]	6000
Max torque [Nm]	63
Ratio	1:1
H [mm]	86.5
Max pressure [bar]	70
Accessories	N.A.
Notes	N.A.
Mounting tips	Main and secondary spindle



Always check live tool dimensions on the turret



Subject to technical changes