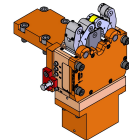
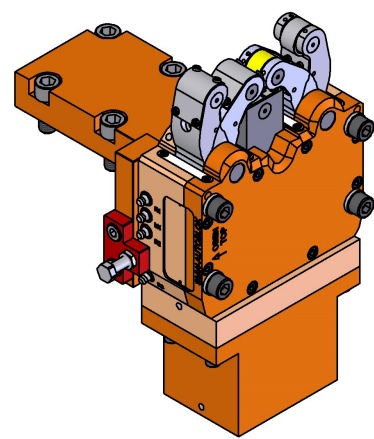
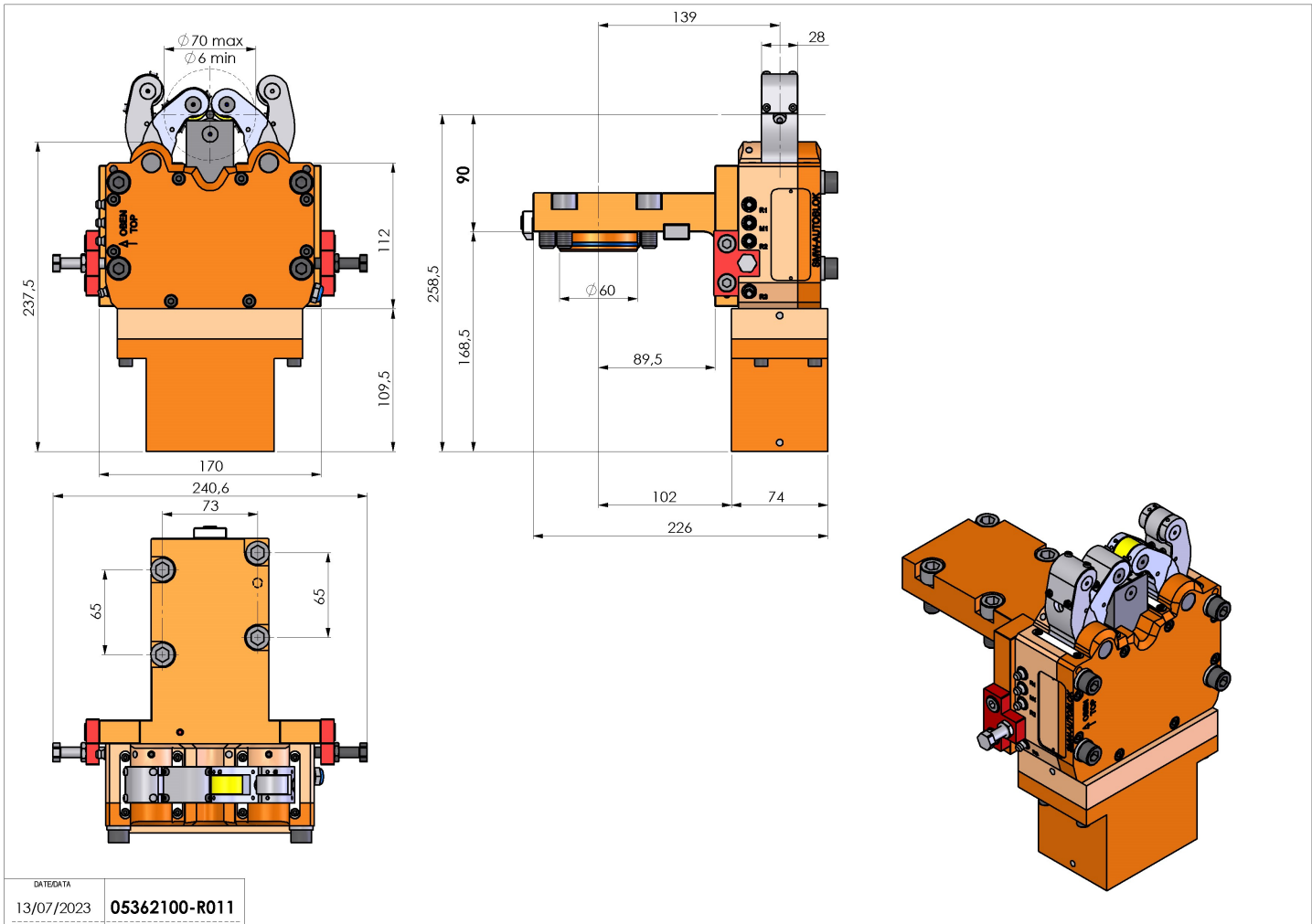


05362100 - LUNETTA D60 D6-70 SLU-X-1M H90

Type	STEADY REST Self-centering steady rest for turret
Mounting	CYLINDRICAL SHANK 60
Tool output	Gripping jaws $\varnothing 6$ - $\varnothing 70$
Coolant	N.A.
H [mm]	90
\varnothing Min [mm]	6
\varnothing Max [mm]	70
Max pressure [bar]	18
Accessories	N.A.
Notes	N.A.
Mounting tips	N.A.



Always check live tool dimensions on the turret



Subject to technical changes