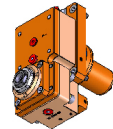
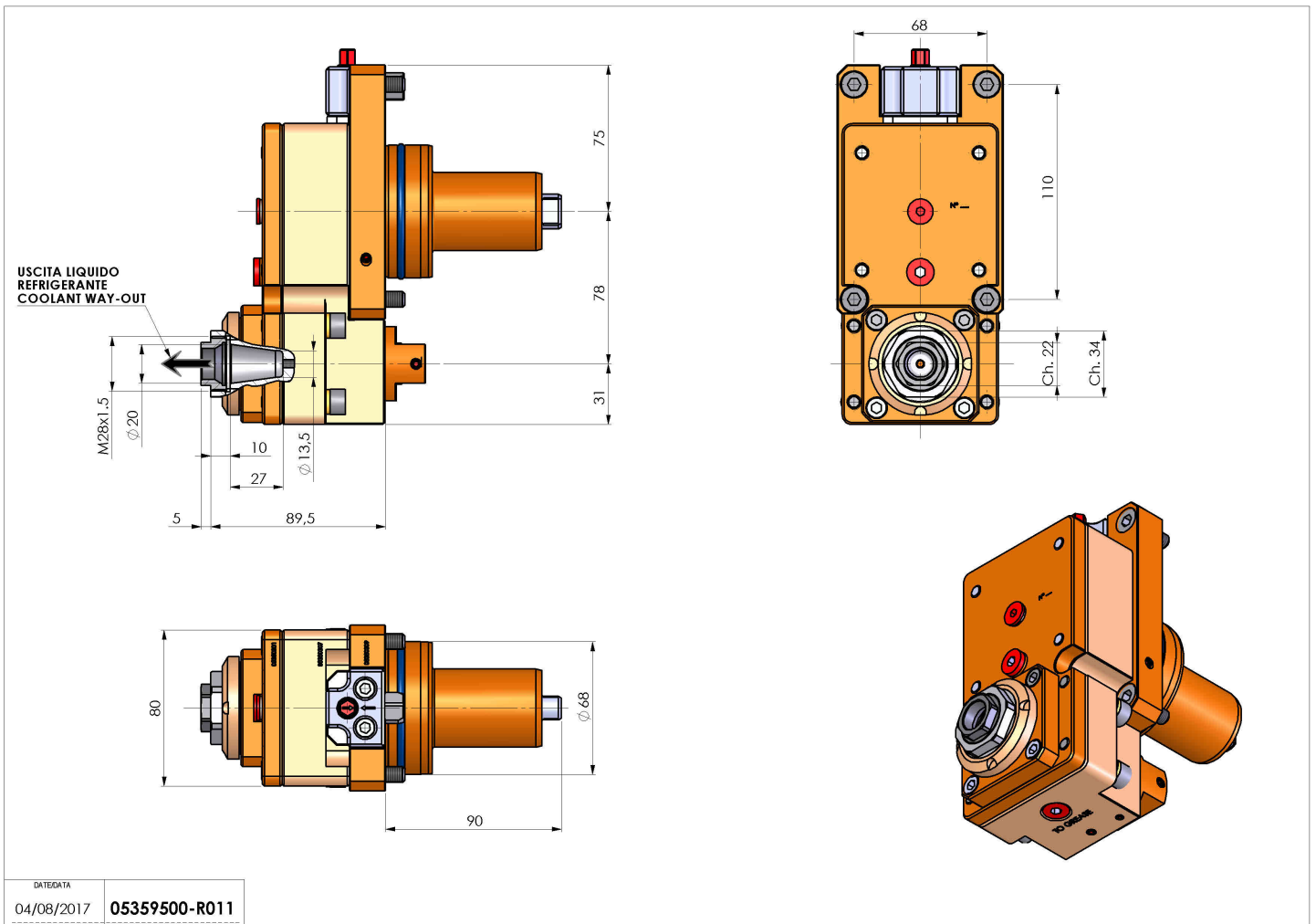


05359500 - LT-S D68 ER20F OFS78 1:3HRF H

Type	LT-S OFS Tool holder straight offset
Mounting	CYLINDRICAL SHANK 68
Tool output	Collet nut ER 20 F - internal nut
Coolant	HRF Internal coolant
Offset [mm]	78
Direction of rotation	r1 r2
Max speed [rpm]	in 5000 / out 15000
Max torque [Nm]	in 50 / out 14
Ratio	1:3
H [mm]	90
Max pressure [bar]	80
Accessories	N.A.
Notes	N.A.
Mounting tips	Main spindle only



Always check live tool dimensions on the turret



DATE/DATE	04/08/2017
PART NUMBER	05359500-R011

Subject to technical changes