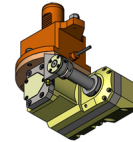


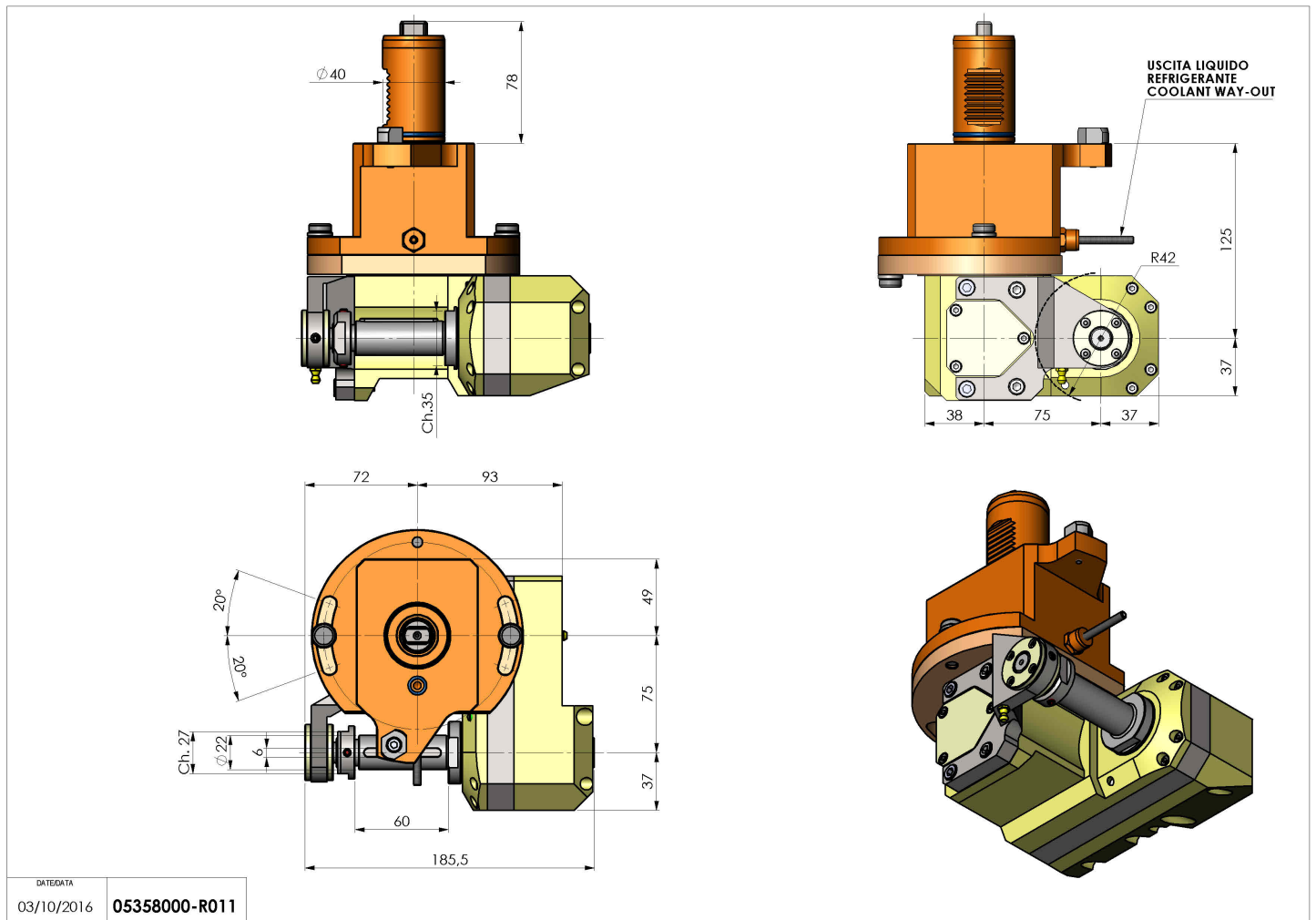
05358000 - LT-HOB-SAW VDI40 2,5:1 H125

Type	LT-HOB-SAW Hobbing/tool holder saw
Mounting	VDI 40
Tool output	Shank kit Ø16-Ø22-Ø27
Coolant	External coolant
Max speed [rpm]	in 6000 / out 2400
Max torque [Nm]	in 60 / out 150
Ratio	2,5:1
H [mm]	125
H1 [mm]	40
Accessories	N.A.
Notes	N.A.
Mounting tips	N.A.



ATTENTION: CHECK THE ORIENTATION OF THE VDI TEETH

Always check live tool dimensions on the turret



Subject to technical changes